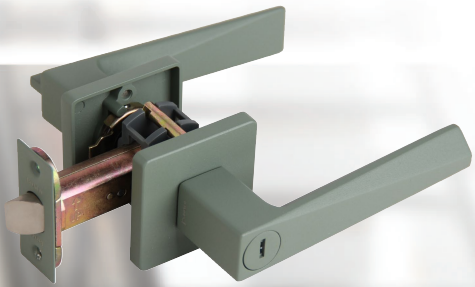




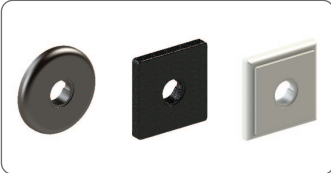
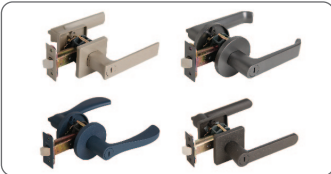


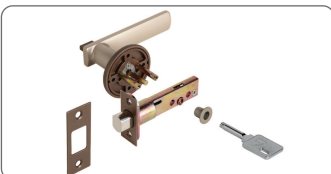
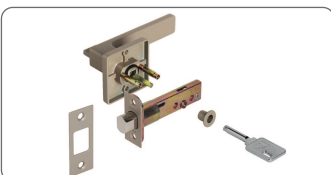
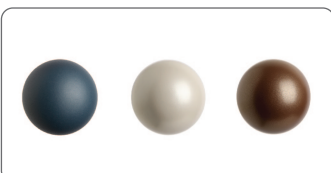
## Lever Locksets



high quality lever locks



Finishes List .....	LN 30-31
KL 701 .....	LN 13
KL 702 .....	LN 14
KL 703 .....	LN 15
KL 704 .....	LN 16
KL 705 .....	LN 17
KL 706 .....	LN 18
KL 707 .....	LN 19
KL 708 .....	LN 20
KL 709 .....	LN 21
KL 710 .....	LN 22
KL 711 .....	LN 23
KL-Rose .....	LN 24
LC 101 .....	LN 4
LC 102 .....	LN 5
LC 103 .....	LN 6
LC 104 .....	LN 7
LC 105 .....	LN 8
LC 106 .....	LN 9
LC-Linear Rose .....	LN 10-11
LC Rose .....	LN 12
4624A-LC 100 .....	LN 26-27
4624A-KL 700 .....	LN 28-29
5091 Series Latch .....	LN 25

	<p>LC 100 Series <span style="color: red; font-weight: bold;">NEW</span></p>	<p>LN4 - LN9</p>
	<p>LC Linear Rose</p>	<p>LN10 - LN11</p>
	<p>LC Rose</p>	<p>LN12</p>
	<p>KL 700 Series</p>	<p>LN13 - LN23</p>
	<p>KL Rose</p>	<p>LN24</p>
	<p>5091 Series Latch</p>	<p>LN25</p>
	<p>4624A-LC100</p>	<p>LN26 - LN27</p>
	<p>4624A-KL700</p>	<p>LN28 - LN29</p>
	<p>Finishes List</p>	<p>LN30 - LN31</p>

## LC 101 SERIES

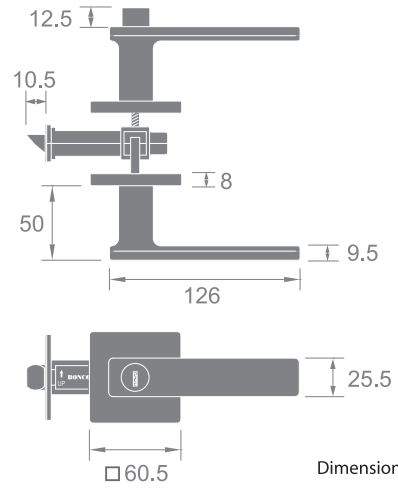
Finishes :  
Select finish from page  
LN30-LN31

Backset : 60mm, 70mm

Door Thickness :  
35~44mm, 45~55mm

(Passed 200,000 Cycle Test)

### LC101-B



### LC101-B



F91



Outside



Inside

(Concealed-Screw)

This design has been PATENTED

### LC101-A



F91

### LC101-C



F91

# LC 102 SERIES

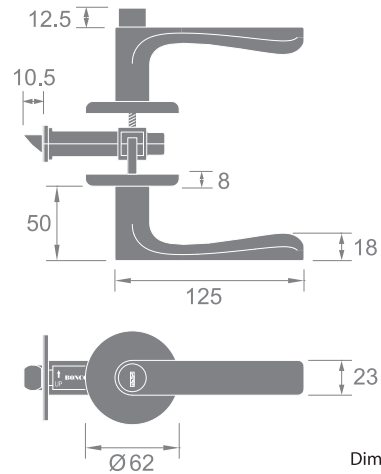
Finishes :  
Select finish from page  
LN30-LN31

Backset : 60mm, 70mm

Door Thickness :  
35~44mm, 45~55mm

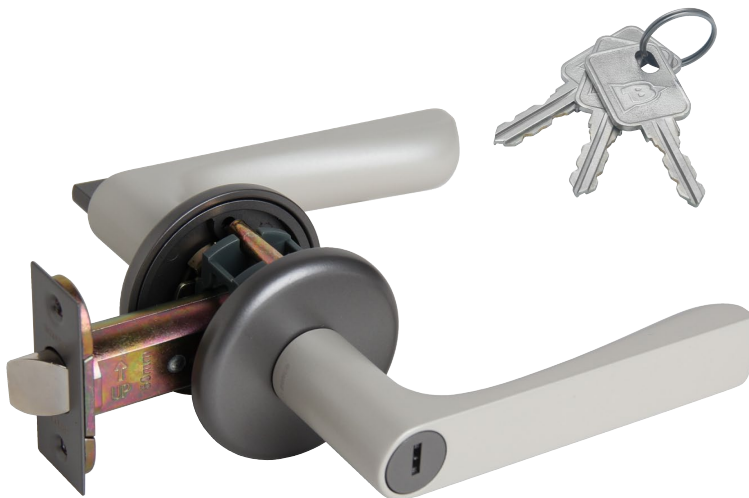
(Passed 200,000 Cycle Test)

## LC102-A



Dimensions in millimeters

## LC102-A



Outside



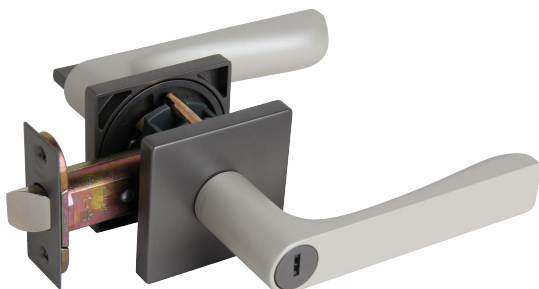
Inside

(Concealed-Screw)

This design has been PATENTED

C04

## LC102-B



C04

## LC102-C



C04

## LC 103 SERIES

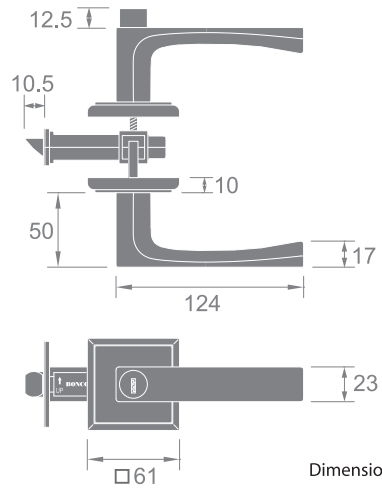
Finishes :  
Select finish from page  
LN30-LN31

Backset : 60mm, 70mm

Door Thickness :  
35~44mm, 45~55mm

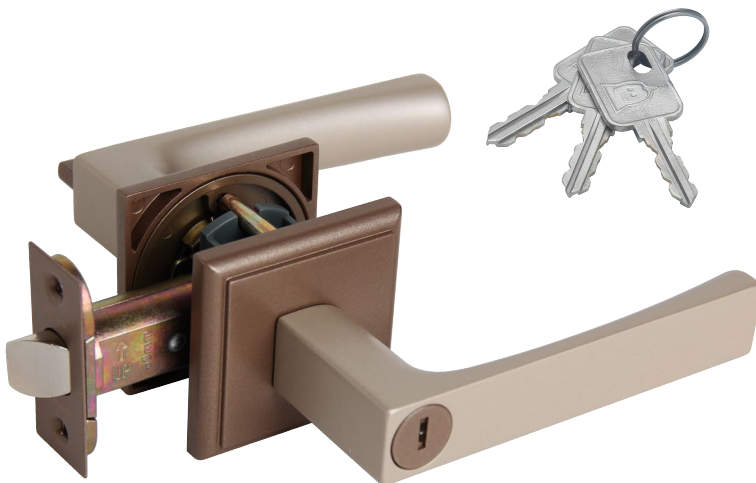
(Passed 200,000 Cycle Test)

### LC103-C



Dimensions in millimeters

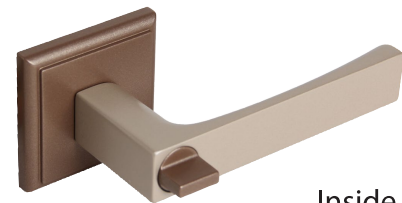
### LC103-C



C05



Outside



Inside

(Concealed-Screw)

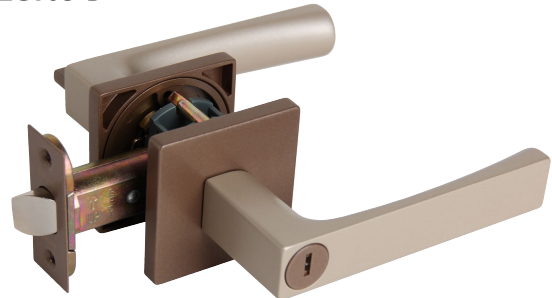
This design has been PATENTED

### LC103-A



C05

### LC103-B



C05

# LC 104 SERIES

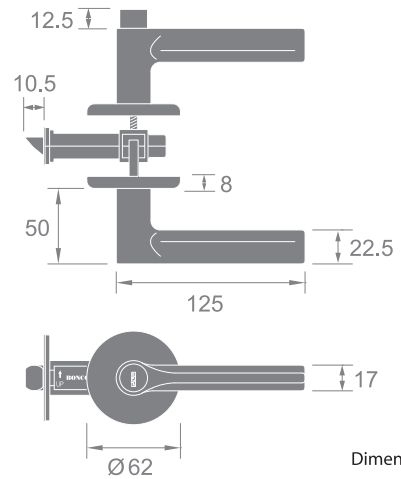
Finishes :  
Select finish from page  
LN30-LN31

Backset : 60mm, 70mm

Door Thickness :  
35~44mm, 45~55mm

(Passed 200,000 Cycle Test)

## LC104-A



Dimensions in millimeters

## LC104-A



F97T



Outside



Inside

(Concealed-Screw)

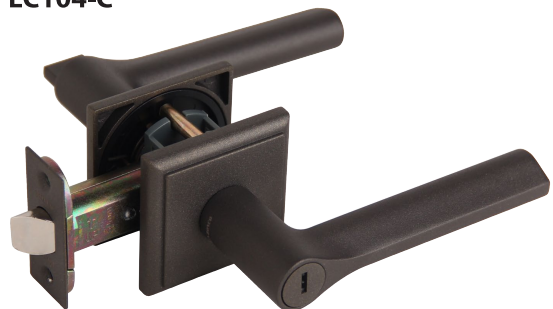
This design has been PATENTED

## LC104-B



F97T

## LC104-C



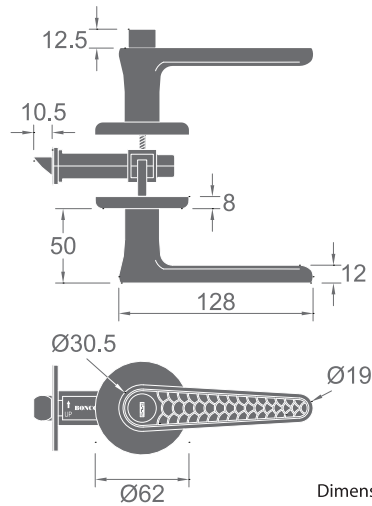
F97T

**NEW**

# LC 105 SERIES

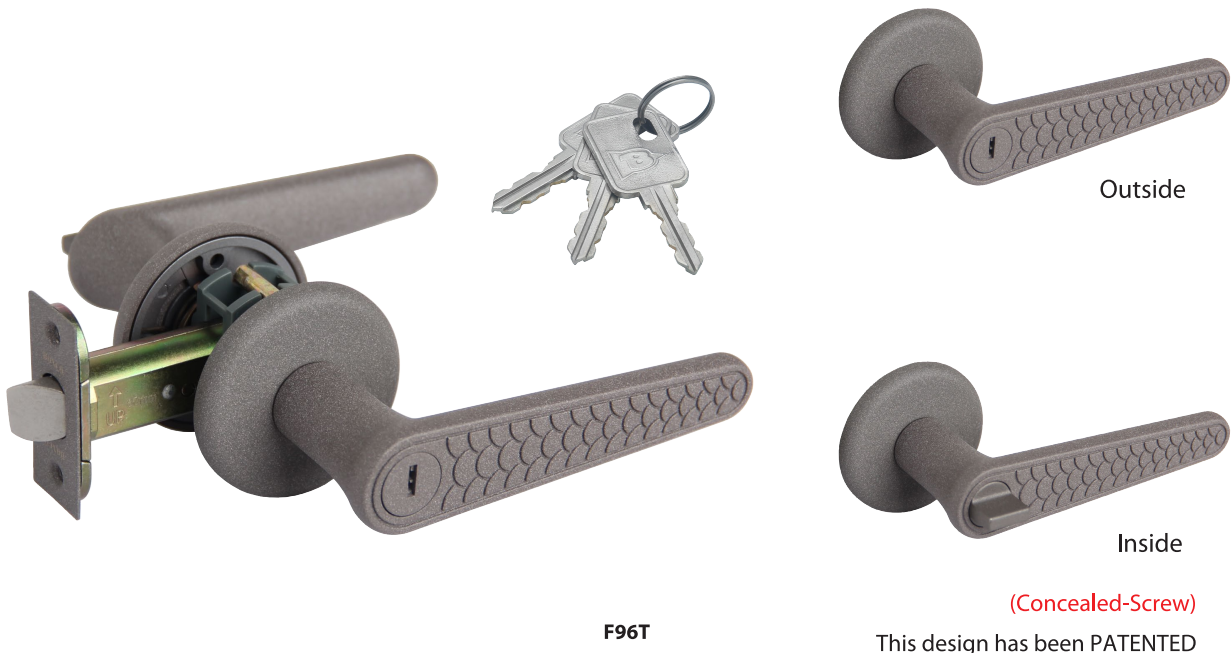
Finishes :  
 Select finish from page  
 LN30-LN31  
 Backset : 60mm, 70mm  
 Door Thickness :  
 35~44mm, 45~55mm  
 (Passed 200,000 Cycle Test)

## LC105-A

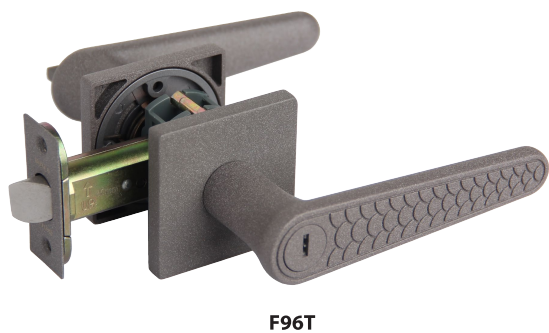


Dimensions in millimeters

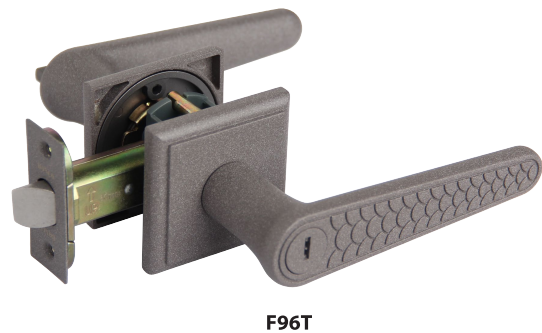
## LC105-A



## LC105-B



## LC105-C



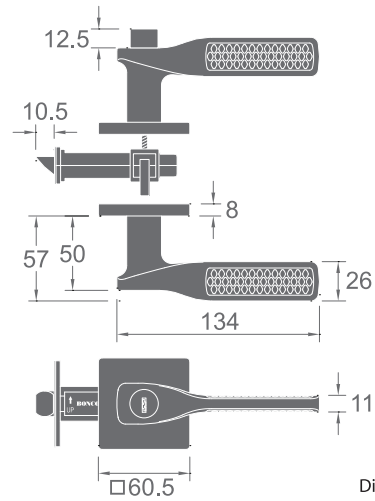


**NEW**

# LC 106 SERIES

Finishes :  
 Select finish from page  
 LN30-LN31  
 Backset : 60mm, 70mm  
 Door Thickness :  
 35~44mm, 45~55mm  
 (Passed 200,000 Cycle Test)

## LC106-B



Dimensions in millimeters

## LC106-B



F91T



Outside



Inside

(Concealed-Screw)

This design has been PATENTED

## LC106-A



F91T

## LC106-C



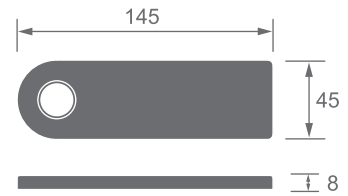
F91T

# LC Linear Rose

R

Finishes :  
Select finish from page  
LN30-LN31

R



F102

Outside or Inside

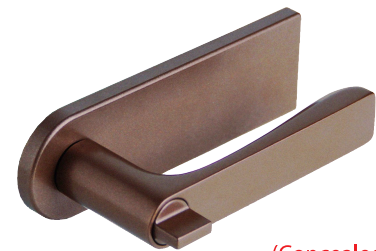
## Example: LC102-R-05-5091EN-70-F102-RH



F102



Outside



Inside

(Concealed-Screw)

This design has been PATENTED

## Example: LC104-R-05-5091EN-70-F97T-RH



F97T



Outside



Inside

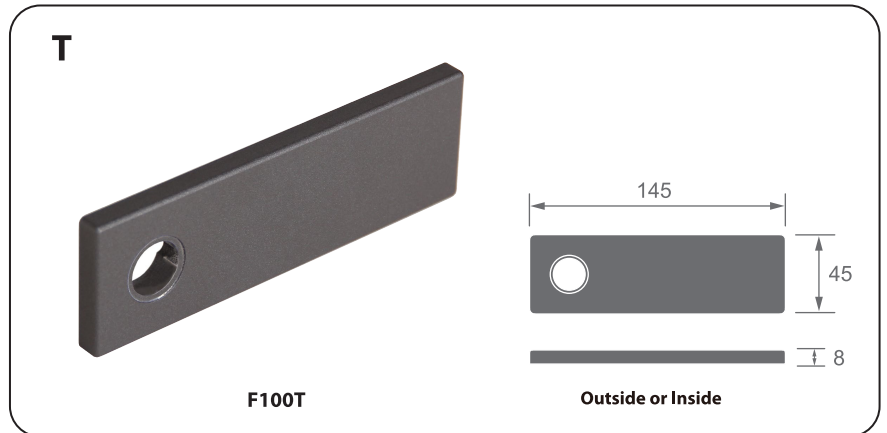
(Concealed-Screw)

This design has been PATENTED

# LC Linear Rose

T

Finishes :  
Select finish from page  
LN30-LN31



## Example: LC101-T-05-5091EN-70-F100T-RH



F100T



Outside

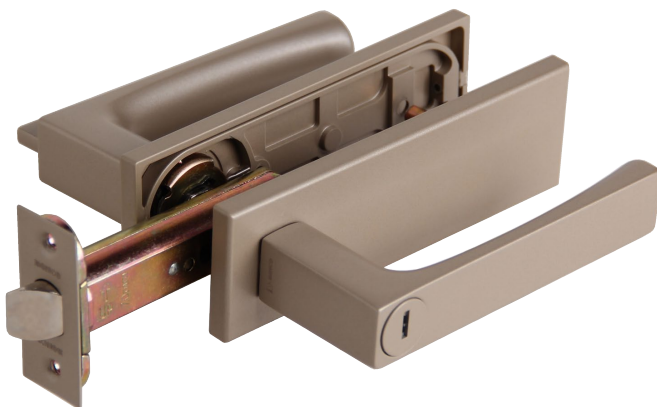


Inside

(Concealed-Screw)

This design has been PATENTED

## Example: LC103-T-05-5091EN-70-F101-RH



F101



Outside

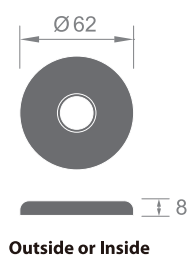
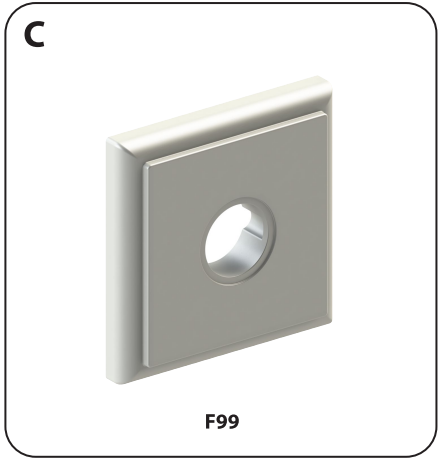
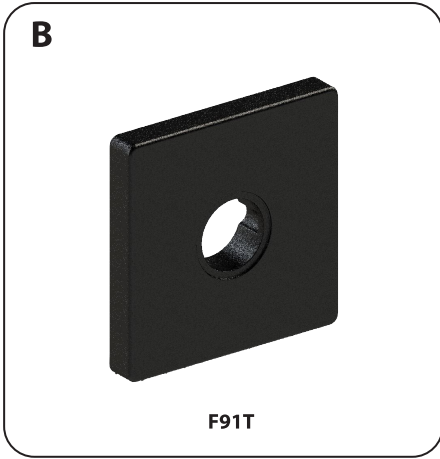
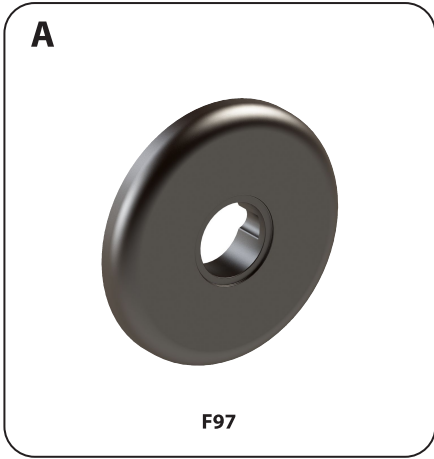


Inside

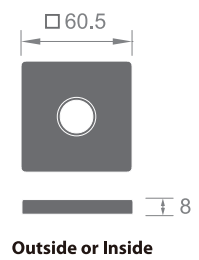
(Concealed-Screw)

This design has been PATENTED

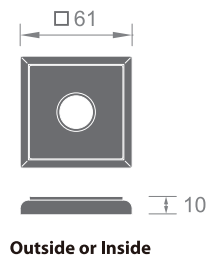
## LC Rose



**A**



**B**



**C**

## How to Order

EXAMPLE : LC101-B-05-5091SSN-60-F97-RH-45DT							
Lever	Rose	Function	Latch	Backset	Finish	Door Hand	Door Thickness
<b>LC101</b>	<b>B</b>	<b>05</b>	<b>5091-SSN</b>	<b>60</b>	<b>F97</b>	<b>RH</b>	<b>45DT</b>
		Latch Bolt by key outside or by thumb turn inside.  *Select other Function from page LN25	 *Select other kinds of Latch from page LN25	Matt Brown powder coating  *Select other Finishes from page LN30-31		45mm	

# KL 701 SERIES

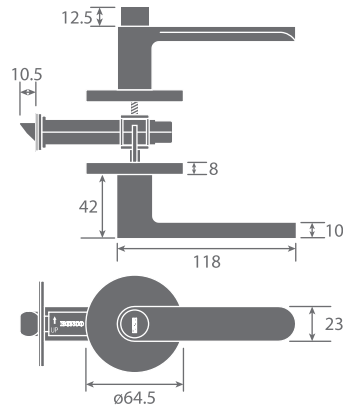
Finishes :  
Select finish from page  
LN30-LN31

Backset : 60mm, 70mm

Door Thickness :  
35~44mm, 45~55mm

(Passed 200,000 Cycle Test)

## KL701-B



Dimensions in millimeters

## KL701-B



F93

## KL701-A



F93

## KL701-C



F93

## KL701-D



F93

## KL 702 SERIES

Finishes :

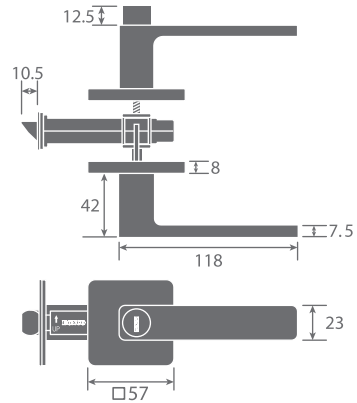
Select finish from page  
LN30-LN31

Backset : 60mm, 70mm

Door Thickness :  
35~44mm, 45~55mm

(Passed 200,000 Cycle Test)

### KL702-D



Dimensions in millimeters

### KL702-D



F21

### KL702-A



F21

### KL702-B



F21

### KL702-C



F21

# KL 703 SERIES

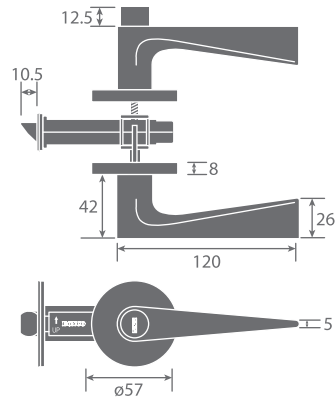
Finishes :  
Select finish from page  
LN30-LN31

Backset : 60mm, 70mm

Door Thickness :  
35~44mm, 45~55mm

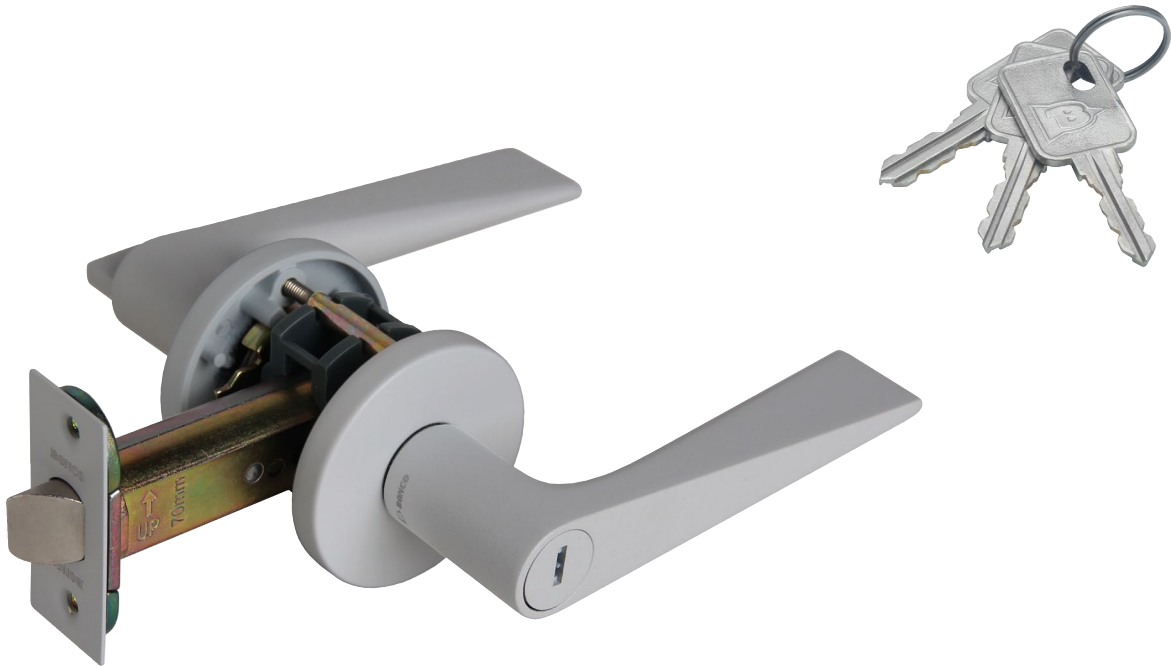
(Passed 200,000 Cycle Test)

## KL703-C



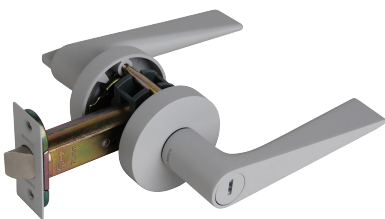
Dimensions in millimeters

## KL703-C



F94T

## KL703-A



F94T

## KL703-B



F94T

## KL703-D



F94T

# KL 704 SERIES

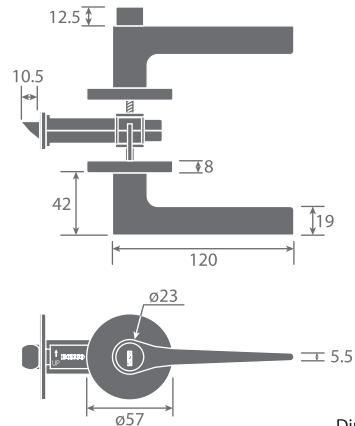
Finishes :  
Select finish from page  
LN30-LN31

Backset : 60mm, 70mm

Door Thickness :  
35~44mm, 45~55mm

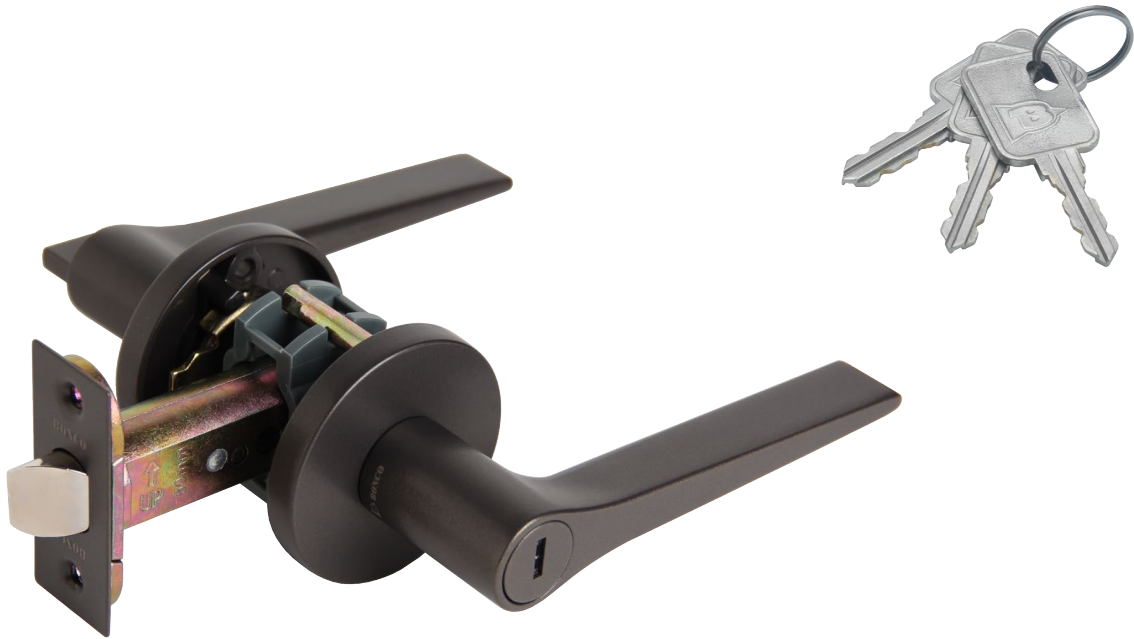
(Passed 200,000 Cycle Test)

## KL704-C



Dimensions in millimeters

## KL704-C



F97

## KL704-A



F97

## KL704-B



F97

## KL704-D



F97



# KL 705 SERIES

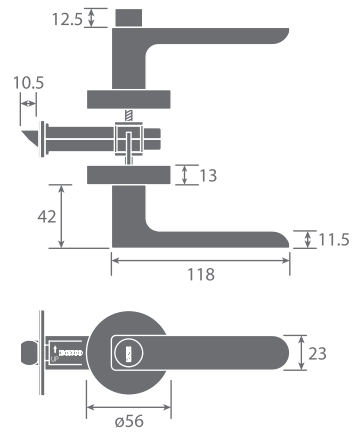
Finishes :  
Select finish from page  
LN30-LN31

Backset : 60mm, 70mm

Door Thickness :  
35~44mm, 45~55mm

(Passed 200,000 Cycle Test)

## KL705-A



Dimensions in millimeters

## KL705-A



F22

## KL705-B



F22

## KL705-C



F22

## KL705-D



F22

## KL 706 SERIES

Finishes :

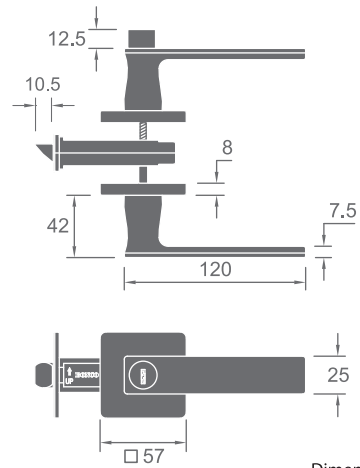
Select finish from page  
LN30-LN31

Backset : 60mm, 70mm

Door Thickness :  
35~44mm, 45~55mm

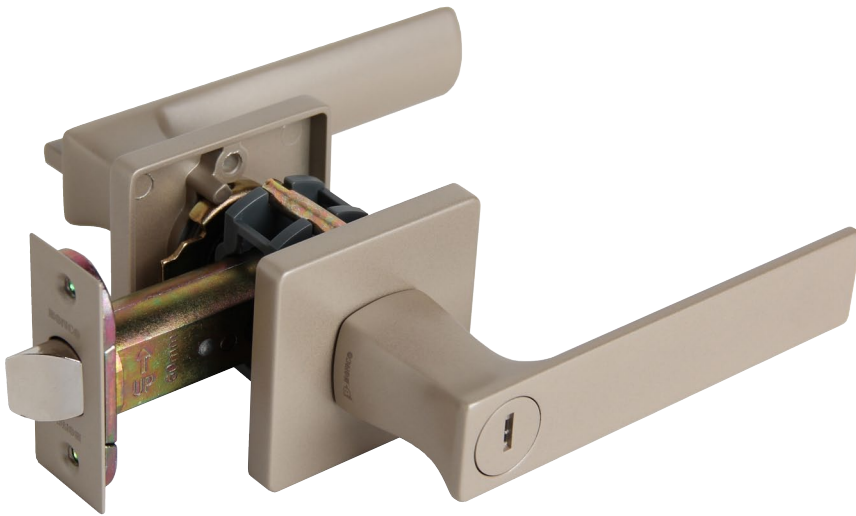
(Passed 200,000 Cycle Test)

### KL706-D



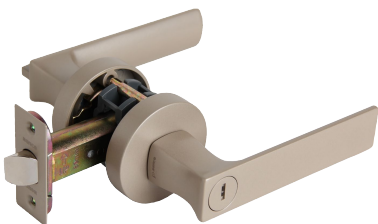
Dimensions in millimeters

### KL706-D



F101

### KL706-A



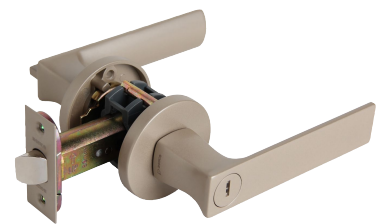
F101

### KL706-B



F101

### KL706-C



F101

# KL 707 SERIES

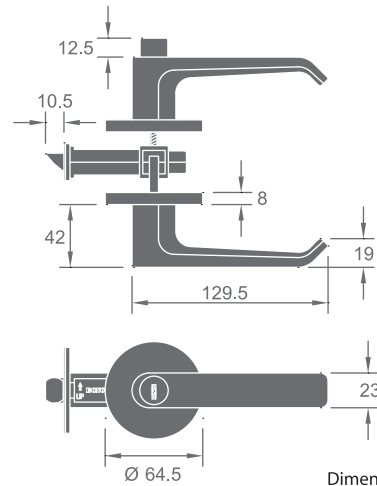
Finishes :  
Select finish from page  
LN30-LN31

Backset : 60mm, 70mm

Door Thickness :  
35~44mm, 45~55mm

(Passed 200,000 Cycle Test)

## KL707-B



## KL707-B



F100

## KL707-A



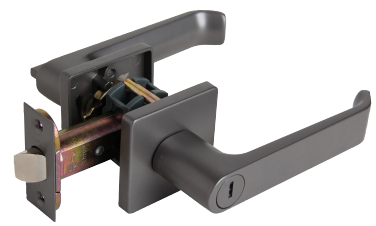
F100

## KL707-C



F100

## KL707-D



F100

## KL 708 SERIES

Finishes :

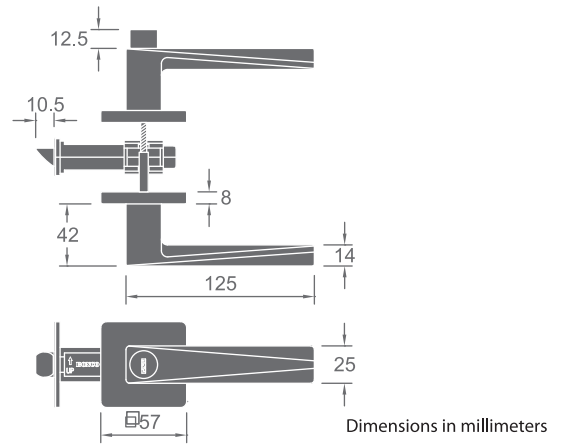
Select finish from page  
LN30-LN31

Backset : 60mm, 70mm

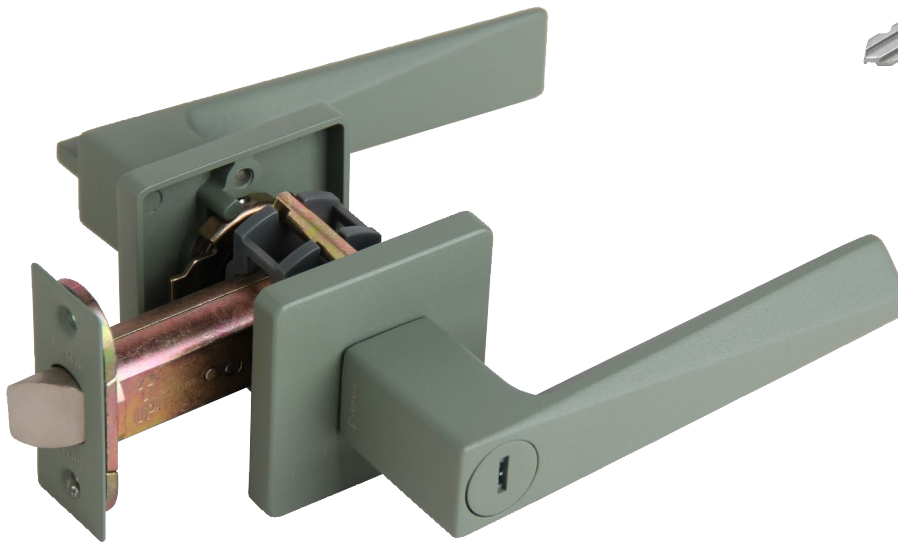
Door Thickness :  
35~44mm, 45~55mm

(Passed 200,000 Cycle Test)

### KL708-D



### KL708-D



F104T

### KL708-A



F105T

### KL708-B



F105T

### KL708-C



F105T

# KL 709 SERIES

Finishes :

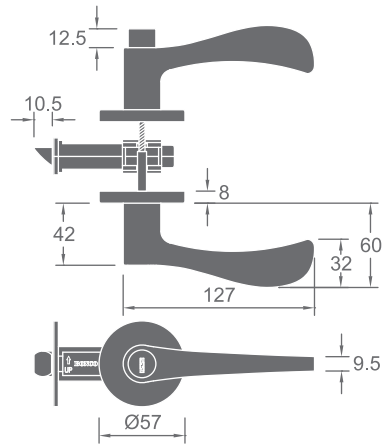
Select finish from page  
LN30-LN31

Backset : 60mm, 70mm

Door Thickness :  
35~44mm, 45~55mm

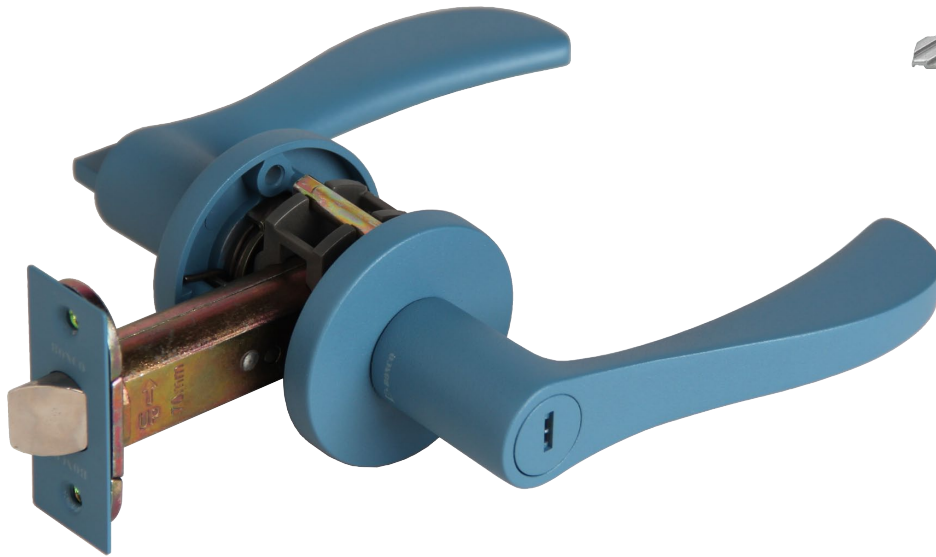
(Passed 200,000 Cycle Test)

## KL709-C



Dimensions in millimeters

## KL709-C



F106T

## KL709-A



F107T

## KL709-B



F107T

## KL709-D



F107T

## KL 710 SERIES

Finishes :

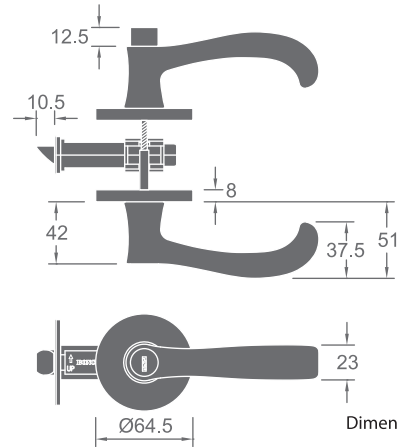
Select finish from page  
LN30-LN31

Backset : 60mm, 70mm

Door Thickness :  
35~44mm, 45~55mm

(Passed 200,000 Cycle Test)

### KL710-B



### KL710-B



F91T

### KL710-A



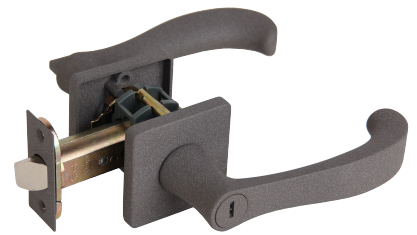
F96T

### KL710-C



F96T

### KL710-D



F96T

# KL 711 SERIES

Finishes :

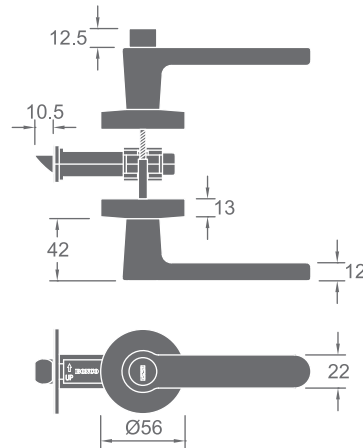
Select finish from page  
LN30-LN31

Backset : 60mm, 70mm

Door Thickness :  
35~44mm, 45~55mm

(Passed 200,000 Cycle Test)

## KL711-A



Dimensions in millimeters

## KL711-A



F93T

## KL711-B



F97T

## KL711-C



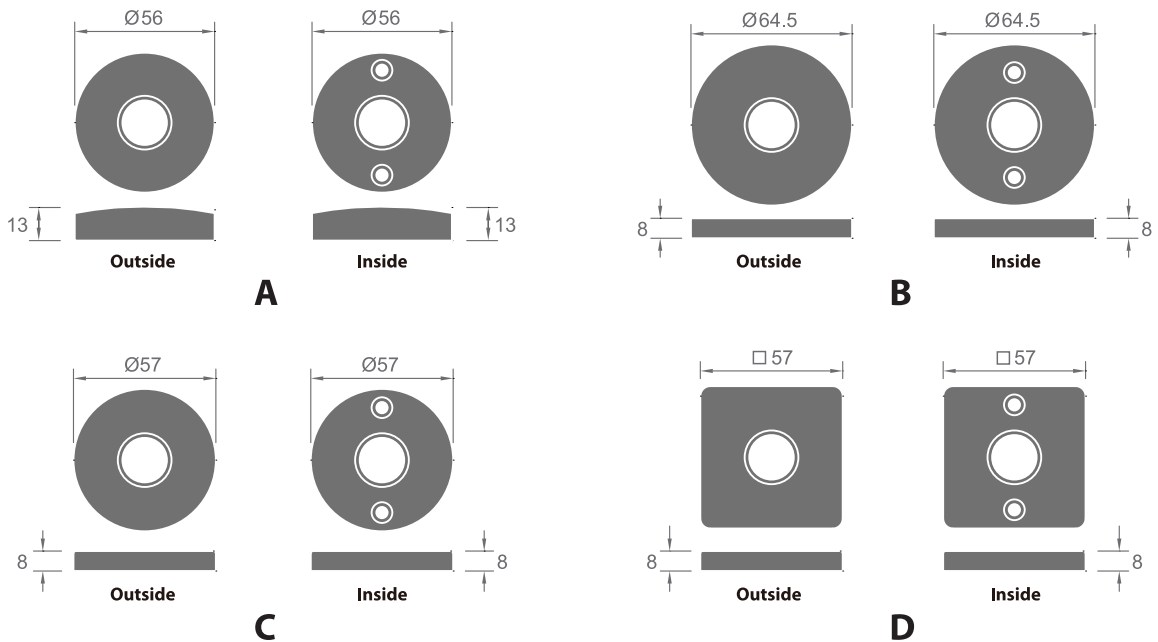
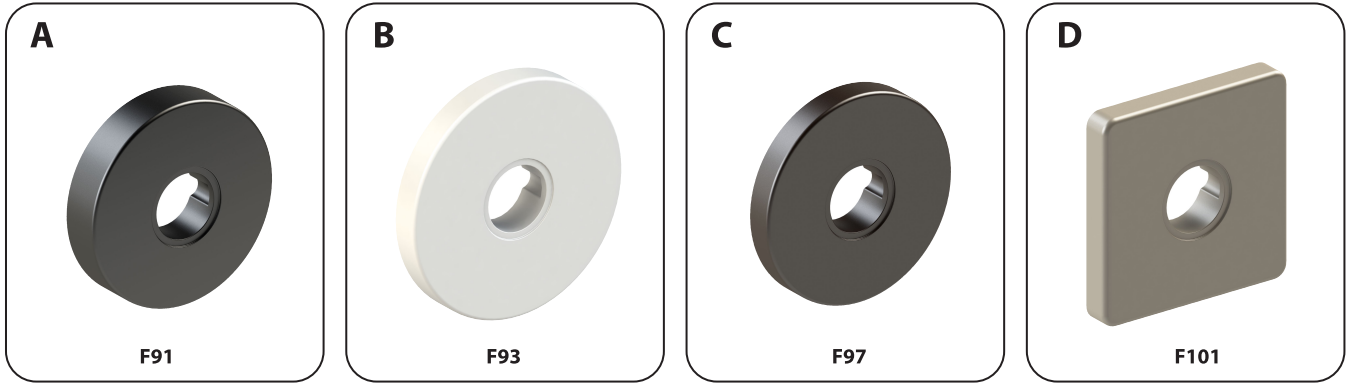
F97T

## KL711-D



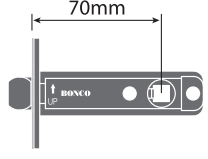


F97T

## KL Rose


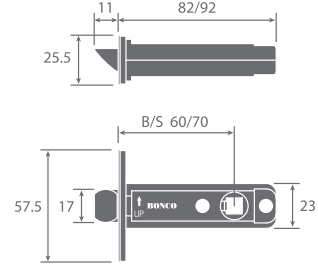

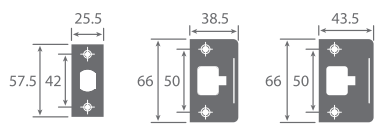


## How to Order









EXAMPLE : KL701-A-05-5091EN-70-F22-50DT						
Lever	Rose	Function	Latch	Backset	Finish	Door Thickness
KL701	A	05	5091-EN	70	F22	50DT
		Latch Bolt by key outside or by thumb turn inside.  *Select other Function from page LN25	  *Select other kinds of Latch from page LN25		Satin Nickel  *Select other Finishes from page LN30-31	50mm



## Latch for KL and LC Series

Model	Backset	Material	Photo	Latch Size
<b>5091EN</b>	60 & 70	<b>Latch :</b> Zinc Alloy , Reverdible  <b>Face &amp; Strike Plate :</b> Stainless Steel		
<b>5091SSN</b>	60 & 70	<b>Latch :</b> Stainess Steel , Reverdible  <b>Face &amp; Strike Plate :</b> Stainless Steel		<p style="text-align: center;">35~44 D/T OR 45~55 D/T</p>  <p style="text-align: center;">Face Plate                      Strike Plate</p>

## Function for KL and LC Series

Locations	Function NO.	External Appearances		Operations
		Outside	Inside	
<b>Entrance</b>	05			Latch Bolt by key outside or by thumb turn inside.
<b>Privacy</b>	65			Latch Bolt by thumb turn inside or open by emergency release by coin outside.
<b>Bathroom or Washroom</b>	68			Latchbolt by either lever unless both levers are locked by thumbturn in inside lever. Emergency open by coin or similar tools from outside lever. Occupancy indicator by thumturn.  * Available for KL Series only.
<b>Passage</b>	15			Latch Bolt by lever both side . Both levers always free.

# 4624A-LC100

## Security Bolt with Lever

Finishes : Select finish from page  
LN30-LN31

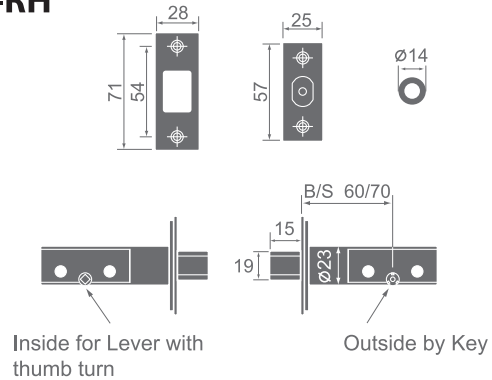
Backset : 60mm, 70mm

Door Hand : LH / RH

Hub : For 5mm Square Spindle (inside)

Door Thickness : 35~44mm, 45~55mm  
(Passed 200,000 Cycle Test)

### 4624A-RH



## 4624A - LC101 - A - 70 - RH - 45DT - C05

Security bolt with  
key outside

Lever with  
thumb turn inside

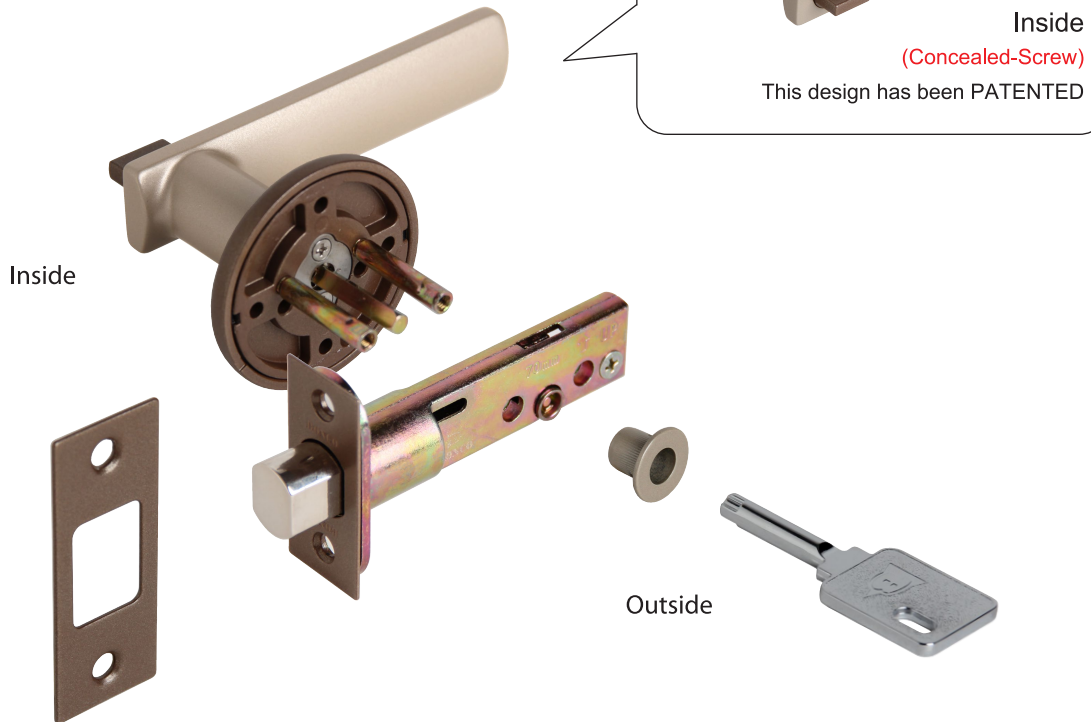
Rose

Backset

Door Hand

Door Thickness

Finish



## Roses

Select size of Roses from page LN12



F91  
A



F93  
B



F101  
C

## Levers with thumb turn inside

Select size of Levers from LC-100 Series



F97  
LC101



F99  
LC102



F100  
LC103



F100T  
LC104



F96T  
LC105 **NEW**



F91T  
LC106 **NEW**

## Rose and Lever

Example for set



F97  
LC101-B



F102  
LC102-A



C04  
LC103-C



F100T  
LC104-A



F96T  
LC105-A



F91T  
LC106-B

# 4624A-KL700

## Security Bolt with Lever

Finishes : Select finish from page LN30-LN31

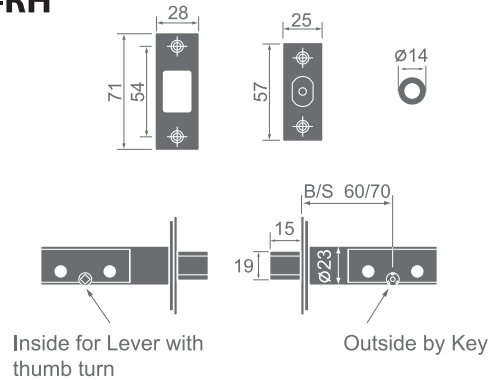
Backset : 60mm, 70mm

Door Hand : LH / RH

Hub : For 5mm Square Spindle (inside)

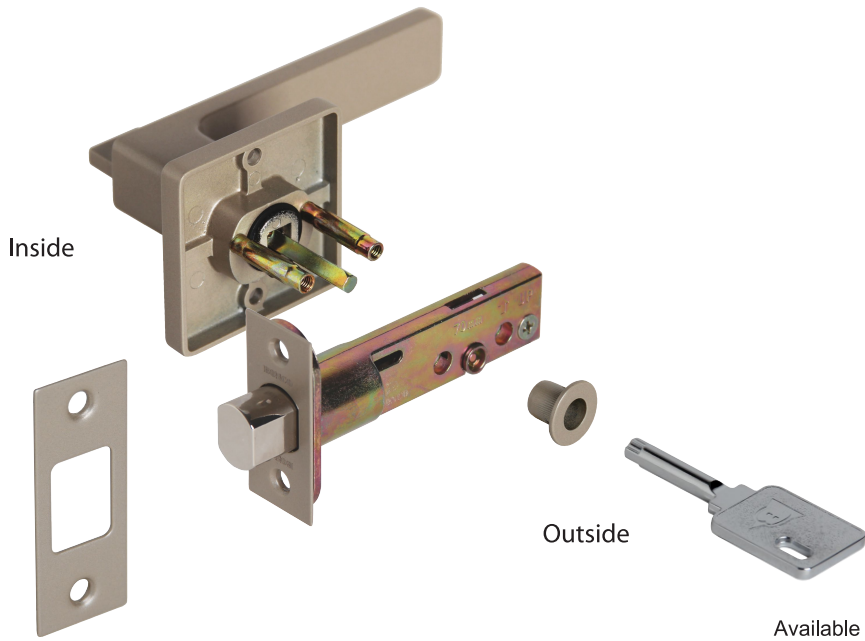
Door Thickness : 35~44mm, 45~55mm  
(Passed 200,000 Cycle Test)

### 4624A-RH



## 4624A - KL702 - D - 70 - RH - 45DT - F101

- Security bolt with key outside
- Lever with thumb turn inside
- Rose
- Backset
- Door Hand
- Door Thickness
- Finish



Available for Rose "B" & "D" only

### Roses

Select size of Roses from page LN24



F21  
B



F91  
D

## Levers with thumb turn inside

Select size of Levers from KL-700 Series



**F22**  
KL701



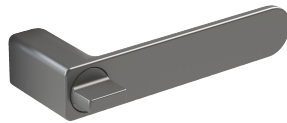
**F93**  
KL702



**F94T**  
KL703



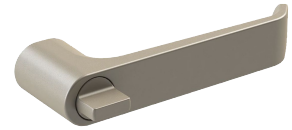
**F97**  
KL704



**F100**  
KL705



**F99**  
KL706



**F101**  
KL707



**F105T**  
KL708



**F106T**  
KL709



**F91T**  
KL710



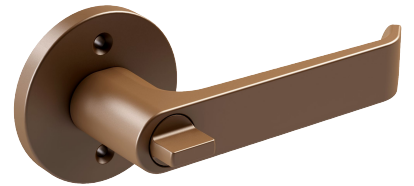
**F97T**  
KL711

## Rose and Lever

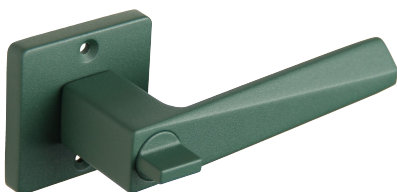
Example for set



**F97**  
KL704-B



**F102**  
KL707-B



**F105T**  
KL708-D





**F106T**  
KL709-B



**F91T**  
KL710-B

## Finishes List

<b>BONCO</b>	<b>Description</b>	<b>BONCO</b>	<b>Description</b>
	<b>F21</b> Bright chrome		<b>F22</b> Satin nickel
	<b>F91</b> Matt black powder coating		<b>F91T</b> Matt black powder coating with rough surface
	<b>F93</b> Matt white powder coating		<b>F93T</b> Matt white powder coating with rough surface
	<b>F94T</b> Matt light grey powder coating with rough surface		<b>F96T</b> Matt dark grey powder coating with rough surface
	<b>F97</b> Matt brown powder coating		<b>F97T</b> Matt brown powder coating with rough surface
	<b>F99</b> Matt champagne silver powder coating		<b>F100</b> Matt silver grey powder coating
	<b>F100T</b> Matt silver grey powder coating with rough surface		<b>F101</b> Matt champagne gold powder coating

## Finishes List

BONCO	Description	BONCO	Description
	<b>F102</b> Matt antique brass gold powder coating		<b>F102T</b> Matt antique brass gold powder coating with rough surface
	<b>F104T</b> Matt light green powder coating with rough surface		<b>F105T</b> Matt dark green powder coating with rough surface
	<b>F106T</b> Matt light blue powder coating with rough surface		<b>F107T</b> Matt dark blue powder coating with rough surface
	<b>F108T</b> Matt rose gold powder coating with rough surface		
 + 	<b>C04</b> Matt champagne silver / Silver grey powder coating	 + 	<b>C05</b> Matt champagne gold / Antique brass gold powder coating



Name of quality & dependability

[www.boncohardware.com](http://www.boncohardware.com)

**BONCO** Ironmongery Ltd.

Member of E. Bon Holdings (HKEx stock code 599)

---

18/F, First Commercial Building, 33 Leighton Rd., Causeway Bay, H.K.  
Tel : (852) 2891 2188 Fax : (852) 2834 2652