
























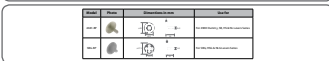


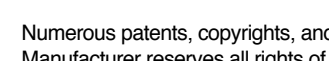


Locksets



high quality locks

4210 / 4217S / 4217W.....	LD26
4212S / 4212W.....	LD30
4220 / 4221 Series	LD27
4290S / 4215T / 4216.....	LD31
4291S / 4295 / 4296.....	LD32
4292S / 4624A / 4625 / 4625A	LD34
4293-05 / 4293-63 / 4293-68.....	LD35
4297S / 4298 / 4299	LD33
4306 / 4307 / 4308 / 4309/ 4311 (4300 Series).....	LD38
4326NT / 4327T.....	LD37
4622 Series	LD18-19
4623 - 4213 / 4214 / 4218 / 4218C / 4219 (4623 Series)	LD28-29
4626 Series	LD12
4626-NS Series	LD13
4635 / 4636 / 4640.....	LD20
4638 / 4639 / 4642 / 4643 / 4644 / 4645	LD36
4648A-65 / 68 / 69.....	LD20
4648H-65 / 68/ 69.....	LD20
4650 Series	LD14
4651 / 4651-B.....	LD11
4652 / 4652-B.....	LD11
4653 Series	LD15
4681BP / SBG-BP / SBG-BPD / 5-BP (Fixing Back Plate).....	LD41
CLS Series	LD21, LD24
CL / CLQ Series	LD22, LD24
CL / CLQ-2H Series	LD25
CP32, CP33-13 / 15, CP35-31 / 33	LD40
ES001, 002, 003, 006 (ES Series)	LD23
ES004, 005, 007, 008, 009, 014 (ES Series)	LD16-17
KL 701 Series.....	LD4, LD10
KL 702 Series.....	LD5, LD10
KL 703 Series.....	LD6, LD10
KL 704 Series.....	LD7, LD10
KL 705 Series.....	LD8, LD10
KL 706 Series.....	LD9, LD10
LF008, 009, 010, 011, 012, 013, 014, LF-AE (LF Series)	LD39
LL / CLS Series	LD21, LD24
RK-06 / 13 / 21 / 24 / 27 (Fixing Back Plate) (Rebated Kit - RK Series)	LD41
Spindle Series	LD42
Display Wood Stand.....	LD43

	KL701-706 Series	LD4-10
	4651/4651-B, 4652/4652-B	LD11
	4626 Series	LD12
	4626-NS Series	LD13
	4650 Series	LD14
	4653 Series	LD15
	ES Series (Euro Mortise Lock)	LD16-17
	4622 Series	LD18-19
	4635, 4636, 4640, 4648A-65/68/69, 4648H-65/68/69	LD20
	LL & CLS Series	LD21, LD24
	CL & CLQ Series	LD22, LD24
	ES Series (CL & CLQ Mortise Lock)	LD23-24
	CL & CLQ-2H Series	LD25
	4210, 4217S, 4217W	LD26
	4220, 4221 Series	LD27
	4623 Series	LD28-29
	4212S, 4212W	LD30
	4290S, 4215T, 4216	LD31
	4291S, 4295, 4296	LD32
	4297S, 4298, 4299	LD33
	4292S, 4624A, 4625 / 4625A	LD34
	4293-05, 4293-63, 4293-68	LD35
	4638 / 4639, 4642 / 4643, 4644 / 4645	LD36
	4326NT, 4327T	LD37
	4300 Series	LD38
	LF Series	LD39
	Cylinder Pull	LD40
	Fixing Back Plate, Rebated Kit - RK Series	LD41
	Spindle Series	LD42
	Display Wood Stand	LD43

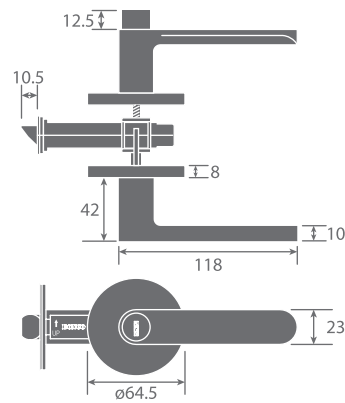
KL 701 SERIES

Standard Finishes:
F21, F22, F28, F30, F34

Door Thickness:
35-45mm, 45-55mm

(Passed 200,000 Cycle Test)

KL701-B



Dimensions in millimeters

KL701-B

F22 Satin Nickel



KL701-A



KL701-C



KL701-D



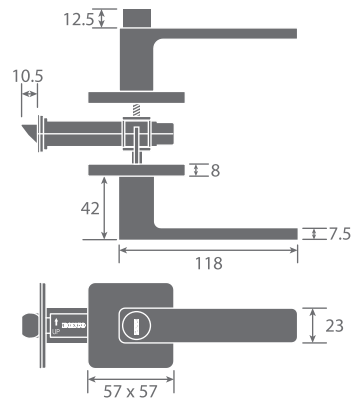
KL 702 SERIES

Standard Finishes:
F21, F22, F28, F30, F34

Door Thickness:
35-45mm, 45-55mm

(Passed 200,000 Cycle Test)

KL702-D



Dimensions in millimeters

KL702-D

F21 Bright Chrome



KL702-A



KL702-B



KL702-C



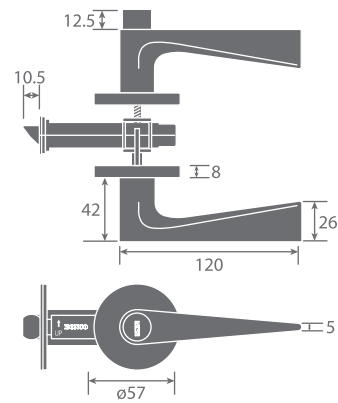
KL 703 SERIES

Standard Finishes:
F21, F22, F28, F30, F34

Door Thickness:
35-45mm, 45-55mm

(Passed 200,000 Cycle Test)

KL703-C



Dimensions in millimeters

KL703-C

F13 Bright Gold



KL703-A



KL703-B



KL703-D



NEW

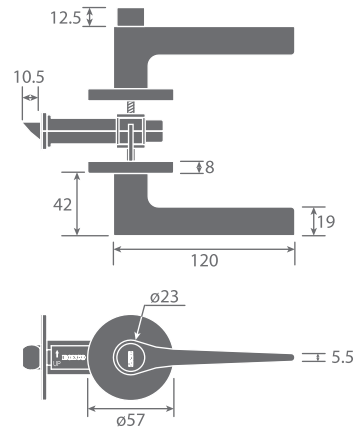
KL 704 SERIES

Standard Finishes:
F21, F22, F28, F30, F34

Door Thickness:
35-45mm, 45-55mm

(Passed 200,000 Cycle Test)

KL704-C



Dimensions in millimeters

KL704-C

F34 Brush black chrome



KL704-A



KL704-B



KL704-D



NEW

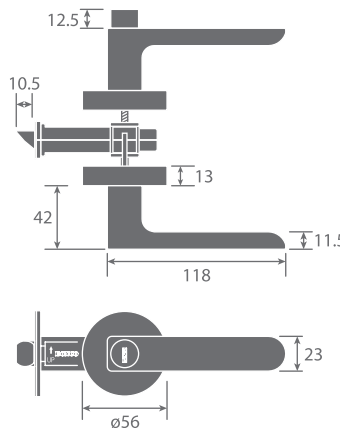
KL 705 SERIES

Standard Finishes:
F21, F22, F28, F30, F34

Door Thickness:
35-45mm, 45-55mm

(Passed 200,000 Cycle Test)

KL705-A



Dimensions in millimeters

KL705-A

F22 Satin Nickel



KL705-B



KL705-C



KL705-D



NEW

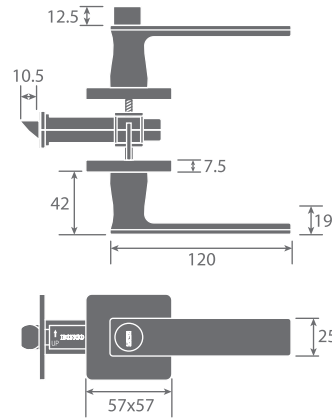
KL 706 SERIES

Standard Finishes:
F21, F22, F28, F30, F34

Door Thickness:
35-45mm, 45-55mm

(Passed 200,000 Cycle Test)

KL706-D



Dimensions in millimeters

KL706-D

F30 Black Chrome



KL706-A



KL706-B



KL706-C



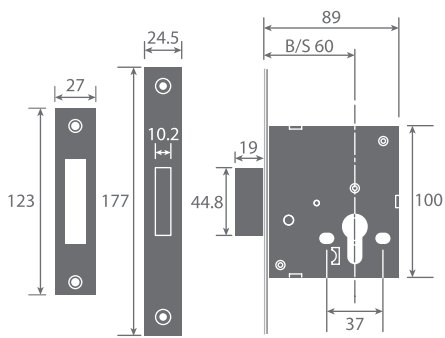
4651 / 4651-B

Euro Mortise Dead Lock

Standard Finishes:
F13, F21, F22, F30, F34

Backset: 60mm

4651



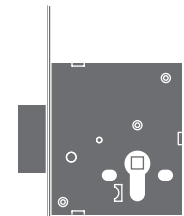
Dimensions in millimeters

4651 / 4651-B

(Passed 200,000 Cycle Test)



4651-B



for 4.7mm
square spindle

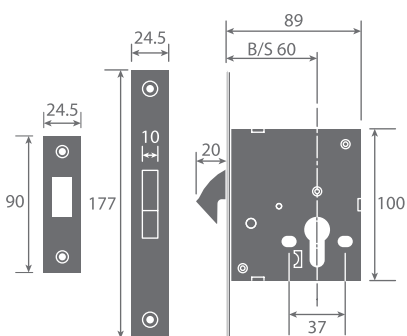
4652 / 4652-B

Euro Mortise Hook Lock

Standard Finishes:
F13, F21, F22, F30, F34

Backset: 60mm

4652



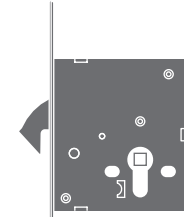
Dimensions in millimeters

4652 / 4652-B

(Passed 200,000 Cycle Test)



4652-B



for 4.7mm
square spindle

4626 SERIES

Euro Mortise Lock

Standard Finishes:
F13, F21, F22, F30, F34

Backset: 60mm, 70mm

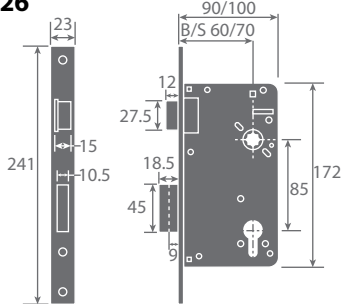
Hub: For 8mm Square Spindle

4626

(Passed 200,000 Cycle Test)



4626



Dimensions in millimeters

Model No.	4626	4626-B	4626-C	4626-D	4626-P	4626-S
	Euro Entrance Mortise Lock	Euro Mortise Private Lock	Euro Mortise Dead Lock	Euro Mortise Dead Lock	Euro Mortise Passage Lock	Euro Mortise Store Room Lock
Drawing						
		For 4.7mm Square Spindle				
Function	Outside Lever Inside Lever Cylinder Turn Piece	Outside Lever Inside Lever Emergency Thumb Turn	Outside Inside Emergency Thumb Turn	Outside Inside Cylinder Turn Piece	Outside Lever Inside Lever Cylinder	Outside Dummy Inside Lever Cylinder
Strike Plate	 195mm height, 3mm thickness, 103mm width, 72mm offset, 120mm offset, 39mm offset, 27mm offset, 50mm offset	 103mm width, 72mm offset, 120mm offset, 45mm offset, 27mm offset, 50mm offset	 103mm width, 72mm offset, 120mm offset, 27mm offset, 50mm offset	 123mm height, 1.5mm thickness, 103mm width, 27mm offset	 101mm height, 3mm thickness, 81mm width, 72mm offset, 50mm offset, 38mm offset, 44mm offset	 81mm width, 72mm offset, 50mm offset, 27mm offset, 44mm offset
	For 35~45D/T Wood Door LH/RH	For 45~55D/T Wood Door LH/RH	For Steel Door		For 35~45D/T	For 45~55D/T

4626-NS SERIES

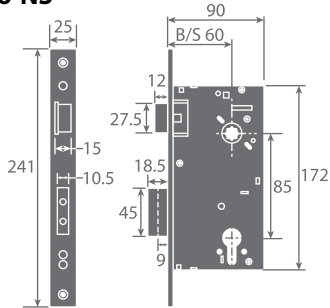
Euro Mortise Lock

Standard Finishes:
F13, F21, F22, F30, F34

Backset: 60mm

Hub: For 8mm Square Spindle

4626-NS



Dimensions in millimeters

4626-NS

(Passed 200,000 Cycle Test)



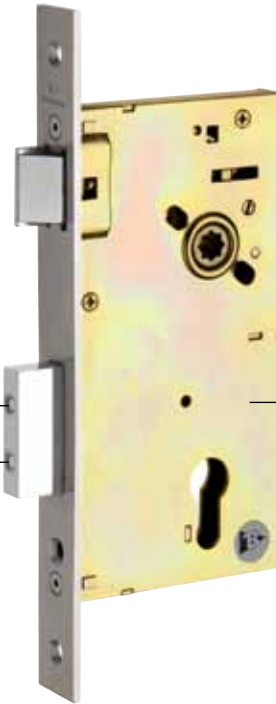
GB-12955-2008
耐火試驗



GA/T73-94
機械防盜鎖

Saw-Proof Hardened
Steel Pins in the Deadbolt

Body 2mm
Thickness



Model No.	4626NS	4626NS-B	4626NS-C	4626NS-D	4626NS-P	4626NS-S
	Euro Entrance Mortise Lock	Euro Mortise Private Lock	Euro Mortise Dead Lock	Euro Mortise Dead Lock	Euro Mortise Passage Lock	Euro Mortise Store Room Lock
Drawing						
Function	Outside Lever Inside Lever Cylinder Turn Piece	Outside Lever Inside Lever Emergency Thunb Turn	Outside Inside Emergency Thunb Turn	Outside Inside Cylinder Turn Piece	Outside Lever Inside Lever Cylinder	Outside Dummy Inside Lever Cylinder
Strike Plate	 For 35~45D/T Wood Door LH/RH For 45~55D/T Wood Door LH/RH For Steel Door				 For 35~45D/T For 45~55D/T	

4650 SERIES

Euro Mortise Lock

Standard Finishes:
F13, F21, F22, F30, F34

Backset: 60mm, 70mm

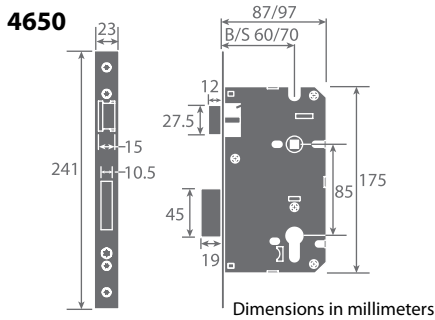
Hub: For 8mm Square Spindle

4650

(Passed 200,000 Cycle Test)



One Action Deadbolt



Model No.	4650	4650-A	4650-B	4650-C	4650-D	4650-P	4650-S
	Euro Entrance Mortise Lock	Euro Mortise Mortise Lock	Euro Mortise Privacy Lock	Euro Mortise Dead Lock	Euro Mortise Dead Lock	Euro Mortise Passage Lock	Euro Mortise Store Room Lock
Drawing			 For 4.7mm Square Spindle	 For 4.7mm Square Spindle			
Function	Outside Lever Inside Lever Cylinder Turn Piece	Outside Lever Inside Lever Cylinder Turn Piece Operations: Open panic action by lever inside only; Cylinder or turn piece lock or unlock deadbolt only (spindle = AR)	Outside Lever Inside Lever Emergency Thumb Turn	Outside Inside Emergency Thumb Turn	Outside Inside Cylinder Turn Piece	Outside Inside Outside Inside 	Outside Dummy Inside Lever Cylinder (spindle = AL)
Strike Plate	 For 35-45D/T Wood Door LH/RH	 For 45-55D/T Wood Door LH/RH	 For Steel Door	 For Steel Door	 For Steel Door	 For 35-45D/T	 For 45-55D/T

4653 SEIRES

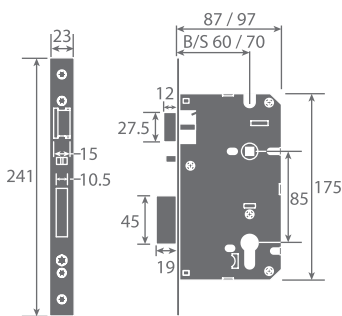
Euro Mortise Lock

Standard Finishes:
F13, F21, F22, F30, F34

Backset: 60mm, 70mm

Hub: For 8mm Square Spindle

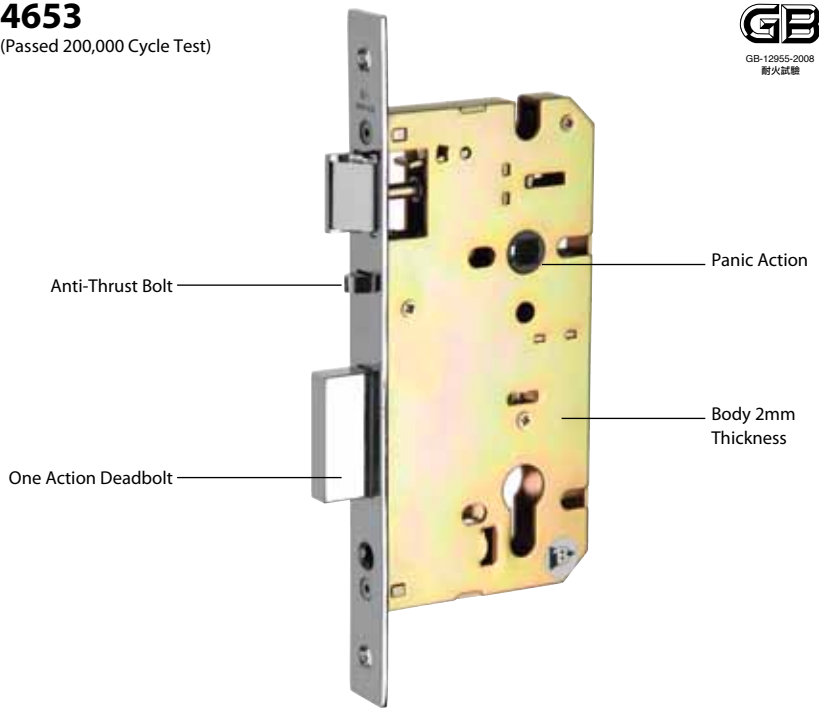
4653



Dimensions in millimeters

4653

(Passed 200,000 Cycle Test)



Model No.	4653-E	4653-C	4653-S
	Euro Entrance Entrance Lock	Euro Mortise Classroom Lock	Euro Mortise Store Room Lock
Drawing		 Only 4653-C mortise must be write down the door LH or RH on the order; Only 4653-C mortise used square spindle is different from others. (it's use AR split spindle)	
Function	<p>Outside Dummy Inside Lever</p> <p>Operations: Lock or unlock by key outside, by turn piece inside; Open panic action by lever inside (spindle = AL)</p> <p>Cylinder Turn Piece</p>	<p>Outside Lever Inside Lever</p> <p>Operations: Outside lever lock or unlock by key; Open by lever inside (spindle = AR)</p> <p>Cylinder</p>	<p>Outside Dummy Inside Lever</p> <p>Operations: Open by key outside; or by lever inside (spindle = AL)</p> <p>Cylinder</p>
Strike Plate	<p>2.0 195 10 81 94 39 27 58.5 111 45 27 111</p> <p>For 35~45D/T Wood Door LH/RH For 45~55D/T Wood Door LH/RH</p>	<p>2.0 101 81 27 38 66 66</p> <p>For 35~45D/T For 45~55D/T</p>	

ES SERIES

Escutcheon Plates
for Euro Mortise Lock

Standard Finishes:
F13, F21, F22, F30, F34

Length of connecting neck part of the levers for this series is different from that of regular SB series.

This series has to be always ordered in complete set (or escutcheons and levers). The regular SB series components cannot be combined together.

Please write down the door thickness and LH/RH on the order.

ES004

F21 Bright Chrome



ES004-SB204-4626

ES005

F21 Bright Chrome



ES005-SB207-4626

ES007

F22 Stain Nickel



ES007-NL802-4650

ES008

F13 Bright Gold



ES008-NL801-4650

ES009

F21 Bright Chrome



ES009-NL802-4650

ES014

F13 Bright Gold

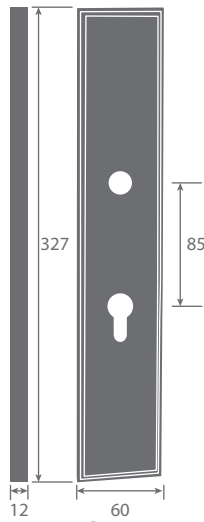


ES004-SB205-4626

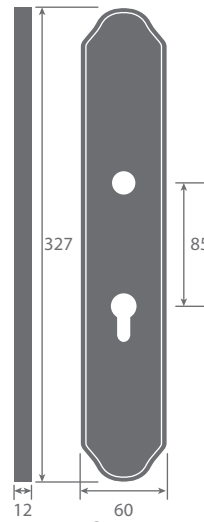
ES SERIES

Escutcheon Plates for
Euro Mortise Lock

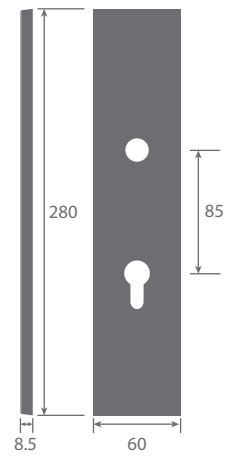
Dimensions
in millimeters



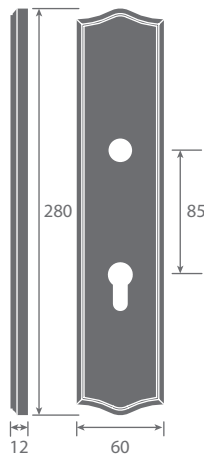
ES004



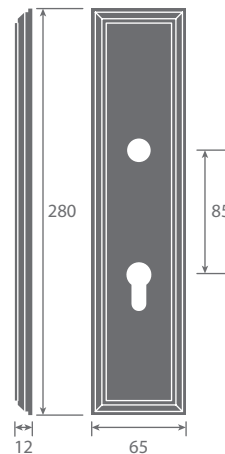
ES005



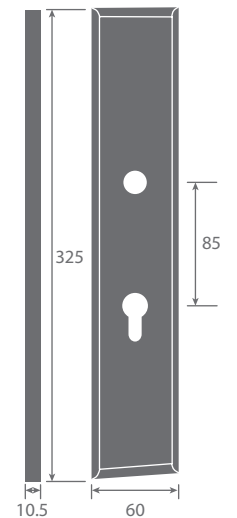
ES007



ES008



ES009



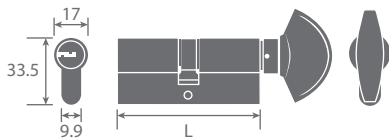
ES014

4622 SERIES

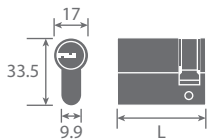
Euro Profile Cylinders

Standard Finishes:
F13, F21, F22, F30, F34

4622S-A-SK



4622H-SK



Dimensions in millimeters

4622S-A-SK

F21 Bright chrome
(Passed 200,000 Cycle Test)



How to Order

Example: 4622 S-A-SK-80-F21

4	6	2	2	S	-	A	-	S	K	-	8	0	-	F	2	1
Function						Turn Piece		Key Type			Length			Finish		

Function

4622S

Single cylinder with Turn piece



4622W

Double cylinder



4622H

Half cylinder

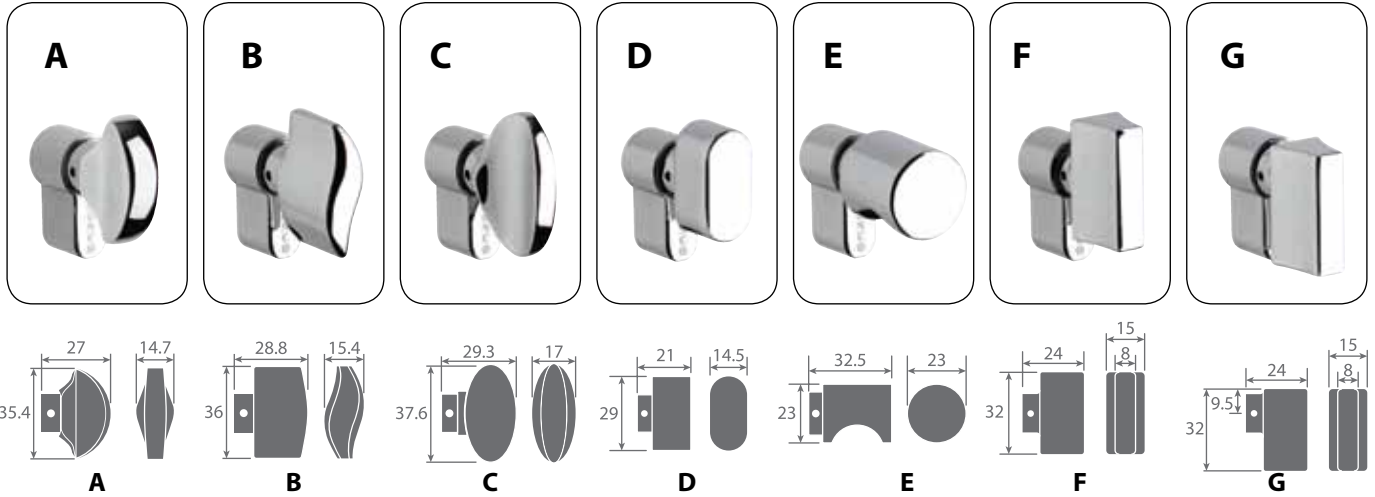


4622T

Emergency cylinder
with Turn piece



Turn Piece



Key Type



Length

Cylinder		Length (Dimensions in mm)										
		40	45	50	55	60	65	70	75	80	85	90
S	4622S					●	●	●	●	●	●	●
	4622S-NS					●	●	●	●	●	●	●
	4622S-SK						●	●	●	●	●	●
W	4622W						●	●	●	●	●	●
	4622W-NS						●	●	●	●	●	●
	4622W-SK							●	●	●	●	●
H	4622H	●	●	●	●							
	4622H-NS	●	●	●	●							
	4622H-SK	●	●	●	●							
T	4622H-T					●	●	●	●	●	●	●

4635 4636 4640

Stainless steel Thumb Turn

Spindle: 4.7mm Square

Standard Finishes:

F13, F21, F22, F30, F34

Use For: 4626-B, 4626-C, 4626NS-B, 4626NS-C, 4650-B, 4650-C, 4651-B, 4652-B



4648A - 65/68/69

Thumb Turn

Spindle: 4.7mm Square

Standard Finishes:

F13, F21, F22, F30, F34

Use For: 4626-B, 4626-C, 4626NS-B, 4626NS-C, 4650-B, 4650-C, 4651-B, 4652-B



4648H - 65/68/69

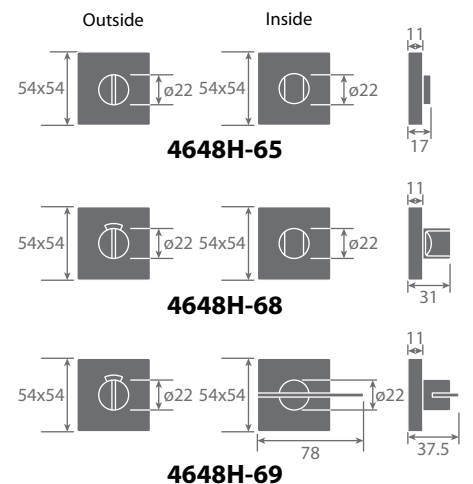
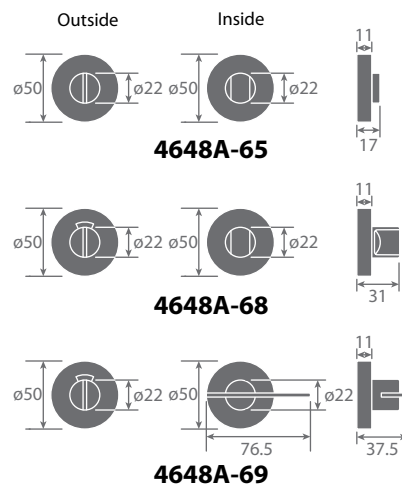
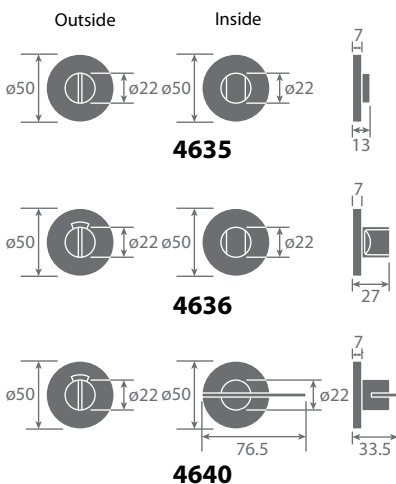
Thumb Turn

Spindle: 4.7mm Square

Standard Finishes:

F13, F21, F22, F30, F34

Use For: 4626-B, 4626-C, 4626NS-B, 4626NS-C, 4650-B, 4650-C, 4651-B, 4652-B



LL SERIES

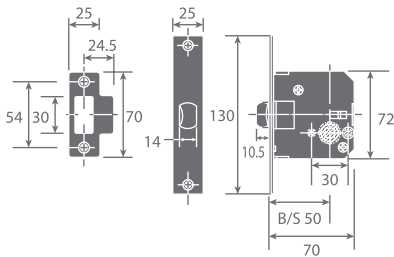
Lever Type Mortise Locks

Standard Finishes:
F13, F16, F24, F25

Backset: 50mm

Hub: For 8mm Square Spindle

LL 15



Dimensions in millimeters

LL 15

(Passed 200,000 Cycle Test)



BS 5872:1980



BS 4951:1973



CLS SERIES

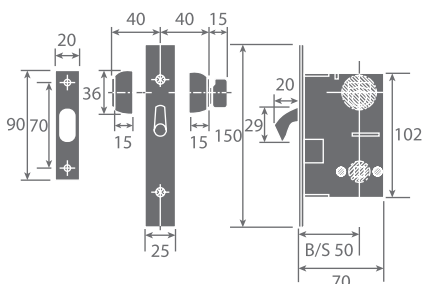
Sliding Door Mortise Locks

Standard Finishes:
F13, F16, F24, F25

Backset: 50mm

Door Thickness: 35~55mm

CLS-05 / CLS-X-05



Dimensions in millimeters

CLS-05

(5-Pin Key Single Cylinder With Thumb turn)

(Passed 200,000 Cycle Test)



05 (5-Pin Key)



Outside



Inside

CL SERIES

Lever Type Mortise Locks

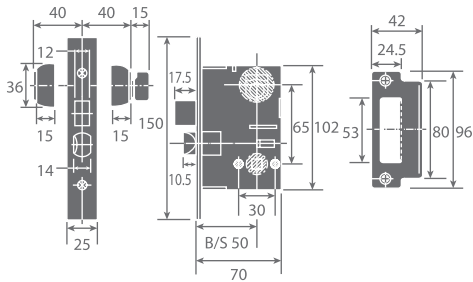
Standard Finishes:
F13, F16, F24, F25

Backset: 50mm

Door Thickness: 35~55mm

Hub: For 8mm Square Spindle

CL-05



Dimensions in millimeters

CL-05

(5-Pin Key Single Cylinder With Thumb turn)

(Passed 200,000 Cycle Test)



BS 5872:1980



BS 4951:1973



5-Pin Key



Outside



Inside

CLQ SERIES

Lever Type Mortise Locks

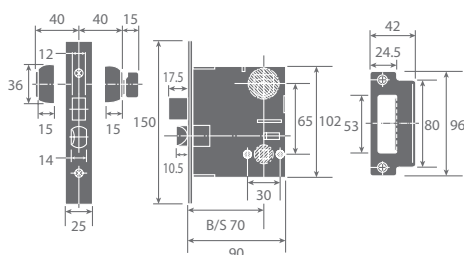
Standard Finishes:
F13, F16, F24, F25

Backset: 70mm

Door Thickness: 35~55mm

Hub: For 8mm Square Spindle

CLQ-05



Dimensions in millimeters

CLQ-05

(5-Pin Key Single Cylinder With Thumb turn)

(Passed 200,000 Cycle Test)



BS 5872:1980



BS 4951:1973



5-Pin Key



Outside



Inside

ES SERIES

Escutcheon Plates for CL & CLQ Mortise Lock

Standard Finishes:
F13, F16, F21, F22

Length of connecting neck part of the levers for this series is different from that of regular SB & NL series.

Height of cylinder collars is thinner for this series than that of regular CL & CLQ series.

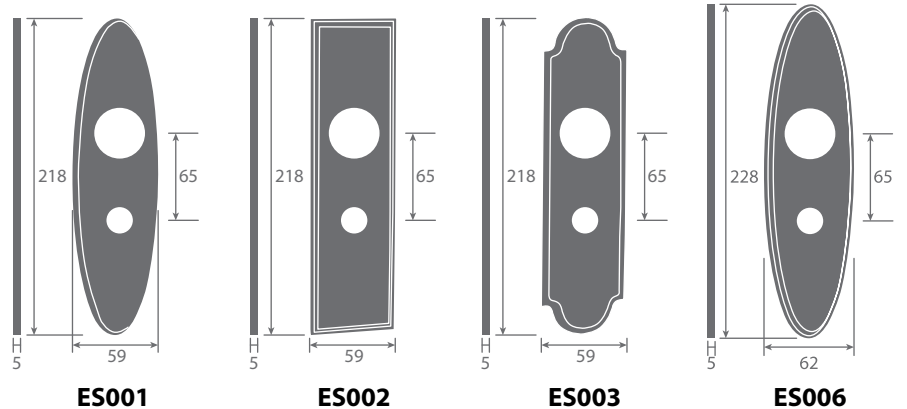
Thus, this series has to be ordered in complete set (of mortise lock, escutcheons and levers). The regular CL & CLQ series and SB, SBK & NL series components cannot be combined together.



ES

Escutcheon Plates for CL & CLQ Mortise Lock

Dimensions in millimeters





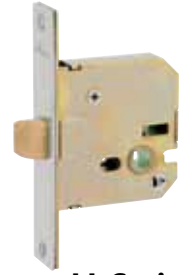
CL Series



CLQ Series



CLS Series



LL Series

Function Chart

Location	Funtion No.	External Apperances		Operations	Series			
		Outside	Inside		CL	CLQ	CLS	LL
Storeroom	04	Cylinder Lever Rigid	Thumb turn Rigid Lever	Latchbolt by key outside, by thumb turn inside. Both lever is rigid.	●	●		
Entrance	04L	Cylinder Lever Rigid	Lever	Latchbolt by lever inside, by key from outside.	●	●		
Entrance	05	Cylinder Lever	Thumb turn Lever	Latchbolt by levers both sides. Deadbolt by key outside, by thumb turn inside. CLS (Hook Bolt by key outside, by Thumb turn inside)	●	●	●	
Entrance	26	Cylinder Lever	Cylinder Lever	Latchbolt by levers both sides. Deadbolt by key both sides. CLS (Hook Bolt by key bothside)	●	●	●	
Storeroom	35	Cylinder Lever	Thumb turn Lever	Latchbolt by levers both sides. Deadbolt by key outside only. CLS (Hook Bolt by key outside only)	●	●	●	
Patio or Exit	63	Lever	Thumb turn Lever	Latchbolt by levers both sides. Deadbolt by thumb turn inside only. CLS (Hook Bolt by Thumb turn inside only)	●	●	●	
Privacy	65	Emergency with indicator Lever	Thumb turn Lever	Latchbolt by levers both sides. Deadbolt by thumb turn inside and emergency key or coin outside. CLS (Hook Bolt by Emergency Key or Coin outside, by Thumb turn inside)	●	●	●	
Passage	15	Lever	Lever	Latchbolt by lever both sides. No deadbolt.	●	●		●

CL/CLQ-2H SERIES

Casement Handles Locks

Standard Finishes:
F16, F24, F25

Backset: 50mm, 70mm

Door Thickness: 35~55mm

CL/CLQ-2H (Passed 200,000 Cycle Test)



(Both side casement handles to use surface fixing)

05

(5-Pin Key Single Cylinder With Thumb turn)



5-Pin Key



Outside



Inside

Location	Funtion No.	External Apperances		Operations
		Outside	Inside	
Entrance	05	Cylinder Casement	Thumb turn Casement	Latchbolt by casement both sides. Deadbolt by key outside, by thumb turn inside.
Entrance	26	Cylinder Casement	Cylinder Casement	Latchbolt by casement both sides. Deadbolt by key both sides.
Storeroom	35	Cylinder Casement	Casement	Latchbolt by casement both sides. Deadbolt by key outsidess only.
Patio or Exit	63	Casement	Thumb turn Casement	Latchbolt by casement both sides. Deadbolt by thumb turn insides only.
Privacy	65	Emergency Casement	Thumb turn Casement	Latchbolt by casement both sides. Deadbolt by thumb turn insides and emergency key or coin outside.
Passage	15	Casement	Casement	Latchbolt by casement both sides. No deadbolt.

4210

Single Casement Handle

Standard Finishes:
F13, F16, F21, F22

Material: Solid Brass

Hub: For 8mm Square Spindle

4210



4217S

Single Casement Handle

Standard Finishes:
F24

Material: Stainless Steel

Hub: For 8mm Square Spindle

4217S



4217W

Casement Handle & Latch

Standard Finishes:
F24

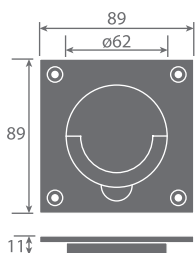
Material: Stainless Steel

Backset: 60, 70mm

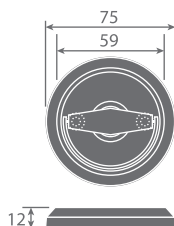
Hub: For 8mm Square Spindle

4217W

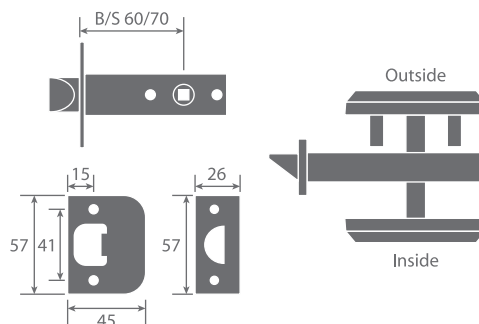
(Passed 200,000 Cycle Test)



4210



4217S



4217W

Dimensions in millimeters

NEW

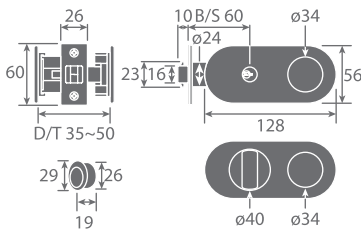
4220 SERIES

Sliding Door Hook Lock

Standard Finishes:
F13, F21, F22, F28

Backset: 60mm

Door Thickness: 35~50mm



Dimensions in millimeters

4220-05

(Passed 200,000 Cycle Test)



Outside

Inside

NEW

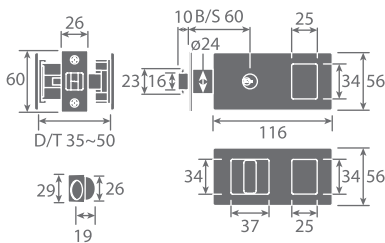
4221 SERIES

Sliding Door Hook Lock

Standard Finishes:
F13, F21, F22, F28

Backset: 60mm

Door Thickness: 35~50mm



Dimensions in millimeters

4221-05

(Passed 200,000 Cycle Test)



Outside

Inside

Function

4220 & 4221 sliding door hook lock

Location	Funtion No.	External Apperances		Operations
		Outside	Inside	
Entrance	05			Hook lock by key outside or by thumb turn inside.
Privacy	65			Hook lock by thumb turn inside and open by emergency release coin outside.

4623 SERIES

Sliding Door Hook Lock

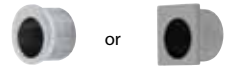
Standard Finishes:
F13, F21, F22, F28

Backset: 50mm

Door Thickness: 35-55mm

4623

(Passed 200,000 Cycle Test)



4213-4623

F22 Stain Nickel



4213



Outside

Inside

4213T



Outside

Inside

4213P



Dummy Pull

4214-4623

F21 Bright Chrome



4214



Outside

Inside

4214T



Outside

Inside

4214P



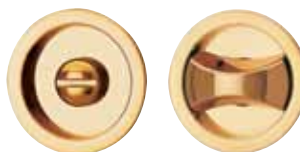
Dummy Pull

4218-4623

F13 Bright Gold



4218



Outside

Inside

4218T



Outside

Inside

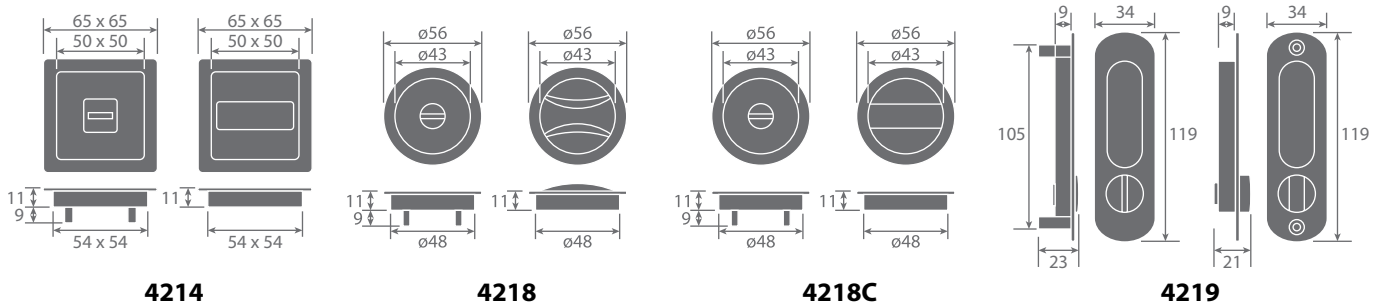
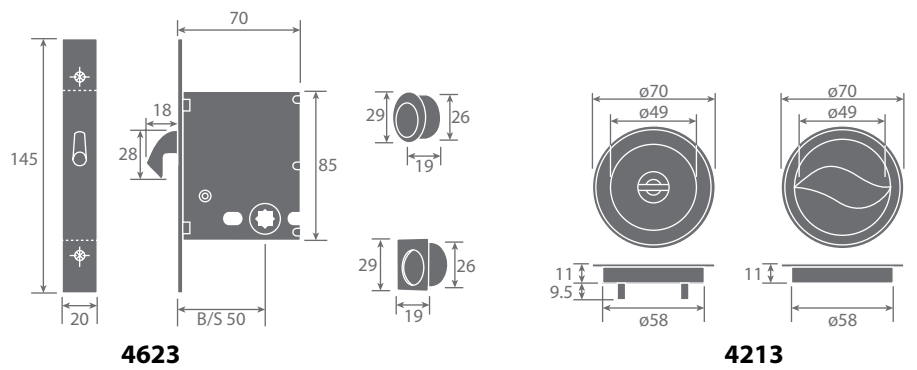
4218P



Dummy Pull



4623 SERIES
Sliding Door Hook Lock
Dimensions
in millimeters



4212S

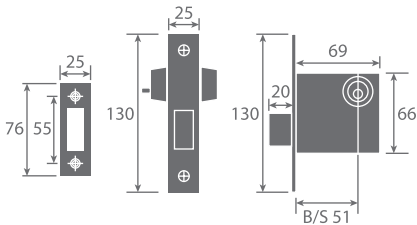
Aluminium Profile Dead Locks

Standard Finishes:
F13, F24, F25

Backset: 51mm

Door Thickness: 32~45mm

4212S



4212S

(Single Cylinder With Thumb turn)

**P.S. If the thickness of the installation door is 50mm,
D/T must be specially stated.**

(Passed 200,000 Cycle Test)



5-Pin Key



Outside



Inside

4212W

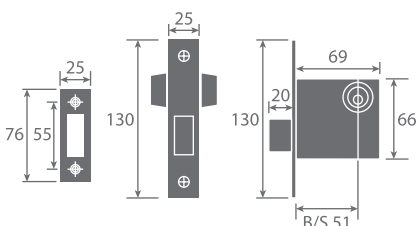
Aluminium Profile Dead Locks

Standard Finishes:
F13, F24, F25

Backset: 51mm

Door Thickness: 32~45mm

4212W



4212W

(Double Cylinder)

**P.S. If the thickness of the installation door is 50mm,
D/T must be specially stated.**

(Passed 200,000 Cycle Test)



5-Pin Key



Outside



Inside

Dimensions in millimeters

4290S

Single Cylinder Tubular Deadlock

Standard Finishes:
F13, F16, F24, F25, F31, F32

Backset: 60, 70mm

Door Thickness: 35-55mm

4290S

(Passed 200,000 Cycle Test)



Outside



Inside



4215T

Tubular Deadlock

Standard Finishes:
F13, F16, F24, F25, F31, F32

Backset: 60, 70mm

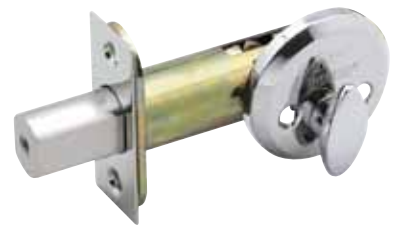
Door Thickness: 35-55mm

4215T

(Passed 200,000 Cycle Test)



Inside



4216

Tubular Deadlock with Emergency Release

Standard Finishes:
F13, F16, F24, F25, F31, F32

Backset: 60, 70mm

Door Thickness: 35-55mm

4216

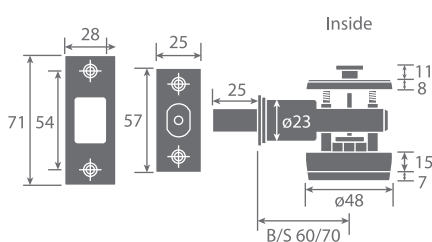
(Passed 200,000 Cycle Test)



Outside

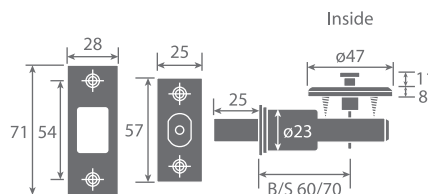


Inside

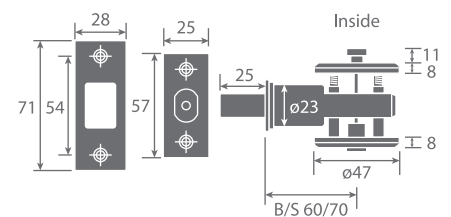


4290S

Outside



4215T



4216

Outside

Dimensions in millimeters

4291S

Single Cylinder Tubular Deadlock

Standard Finishes:
F13, F21, F22, F31, F32

Backset: 60, 70mm

Door Thickness: 35-55mm

4291S

(Passed 200,000 Cycle Test)



5-Pin Key



Outside



Inside



4295

Tubular Deadbolt

Standard Finishes:
F13, F21, F22, F31, F32

Backset: 60, 70mm

Door Thickness: 35-55mm

4295

(Passed 200,000 Cycle Test)



Inside



4296

Tubular Deadbolt with Emergency Release

Standard Finishes:
F13, F21, F22, F31, F32

Backset: 60, 70mm

Door Thickness: 35-55mm

4296

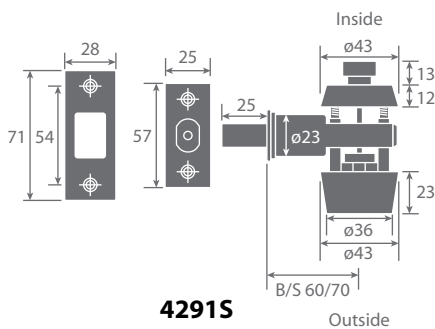
(Passed 200,000 Cycle Test)



Outside

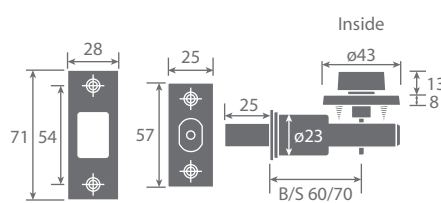


Inside

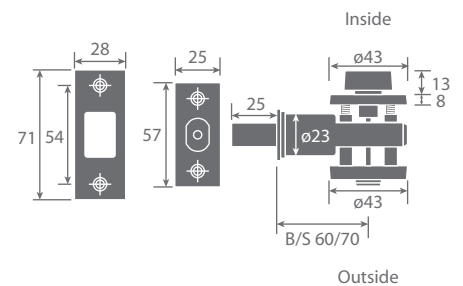


4291S

Outside



4295



4296

Outside

Dimensions in millimeters

4297S

Single Cylinder Tubular Deadlock

Standard Finishes:
F13, F21, F22, F31, F32

Backset: 60, 70mm

Door Thickness: 35-55mm

4297S

(Passed 200,000 Cycle Test)



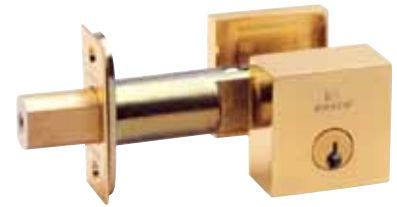
5-Pin Key



Outside



Inside



4298

Tubular Deadbolt

Standard Finishes:
F13, F21, F22, F31, F32

Backset: 60, 70mm

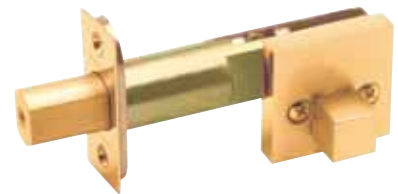
Door Thickness: 35-55mm

4298

(Passed 200,000 Cycle Test)



Inside



4299

Tubular Deadbolt with Emergency Release

Standard Finishes:
F13, F21, F22, F31, F32

Backset: 60, 70mm

Door Thickness: 35-45mm

4299

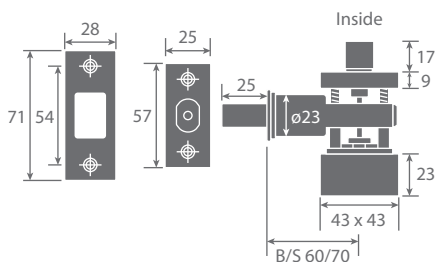
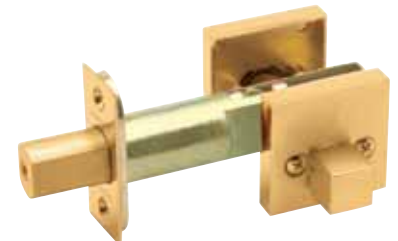
(Passed 200,000 Cycle Test)



Outside

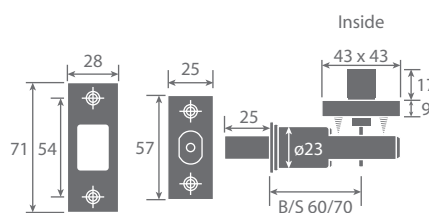


Inside

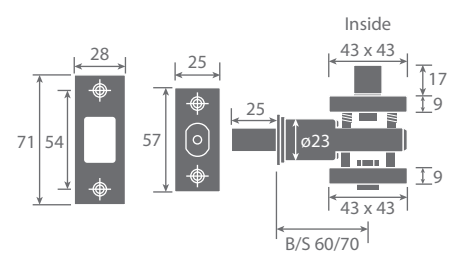


4297S

Outside



4298



4299

Outside

Dimensions in millimeters

4292S

Single Cylinder Tubular Dead-Latch

Standard Finishes:
F13, F16, F24, F25, F31, F32

Backset: 70mm

Door Thickness: 42-55mm

4292S

(Passed 200,000 Cycle Test)



5-Pin Key

4624A

Security Bolt

Standard Finishes:
F13, F21, F22, F31, F32

Backset: 60, 70mm

Hub: For 5mm Square Spindle (inside)

Door Thickness: 35-55mm

4624A-RH

(Passed 200,000 Cycle Test)



Option:
Thumb Turn design could be chosen from Handle Lock catalogue, LA24 - LA25. Please write down the door LH or RH on the order.

4625 / 4625A

Security Bolt

Standard Finishes:
F13, F21, F22, F31, F32

Backset: 40mm

Door Thickness: 30-60mm

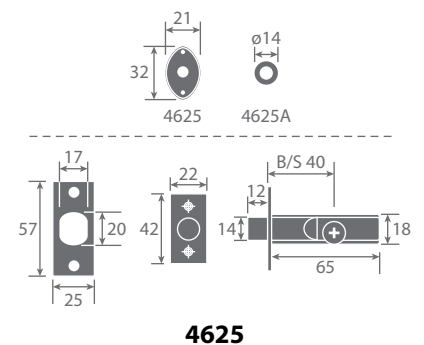
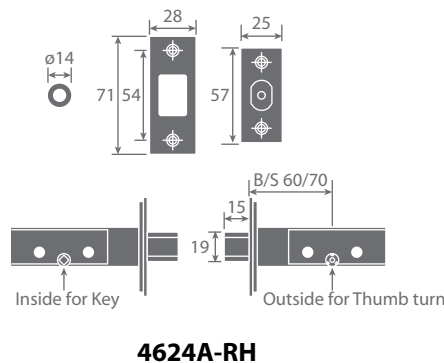
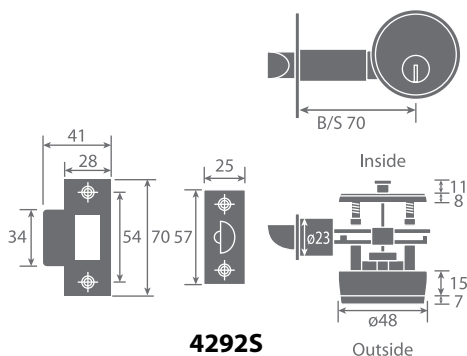
4625 / 4625A

(Passed 200,000 Cycle Test)



4625

4625A



Dimensions in millimeters

4293-05

NEW

Single Cylinder Tubular Deadlock

Standard Finishes:
F13, F21, F22, F28, F31, F32

Backset: 60, 70mm

Door Thickness: 35~55mm

4293-05

(Passed 200,000 Cycle Test)



Outside



Inside



4293-63

NEW

Tubular Deadbolt

Standard Finishes:
F13, F21, F22, F28, F31, F32

Backset: 60, 70mm

Door Thickness: 35~55mm

4293-63

(Passed 200,000 Cycle Test)



Inside



4293-68

NEW

Tubular Deadbolt with Emergency Release

Standard Finishes:
F13, F21, F22, F28, F31, F32

Backset: 60, 70mm

Door Thickness: 35~55mm

4293-68

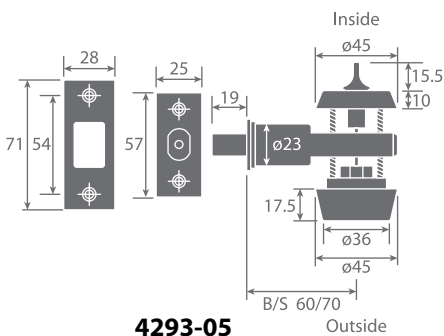
(Passed 200,000 Cycle Test)



Outside

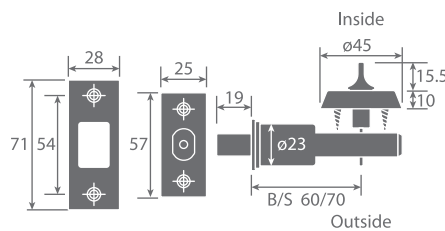


Inside



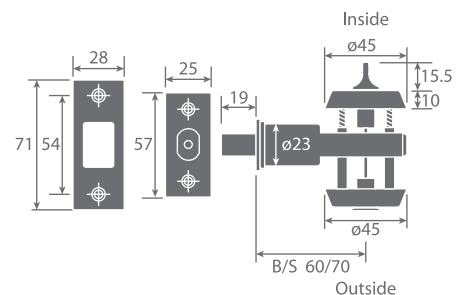
4293-05

Outside



4293-63

Outside



4293-68

Outside

Dimensions in millimeters

4638 / 4639

Indicating Bolts

Standard Finishes:
F13, F21, F22

Backset: 40mm

Door Thickness: 35~50mm

4638 (Emergency Release Dead Bolt)

4639 (Emergency Release Dead Bolt with Indicator)

(Passed 200,000 Cycle Test)



4638



4639



Outside

Inside

4642 / 4643

Indicating Bolts

Standard Finishes:
F13, F21, F22

Backset: 40mm

Door Thickness: 35~50mm

4642 (Emergency Release Dead Bolt)

4643 (Emergency Release Dead Bolt with Indicator)

(Passed 200,000 Cycle Test)



4642



4643



Outside

Inside

4644 / 4645

Indicating Bolts

Standard Finishes:
F13, F21, F22

Backset: 40mm

Door Thickness: 35~50mm

4644 (Emergency Release Dead Bolt)

4645 (Emergency Release Dead Bolt with Indicator)

(Passed 200,000 Cycle Test)



4644

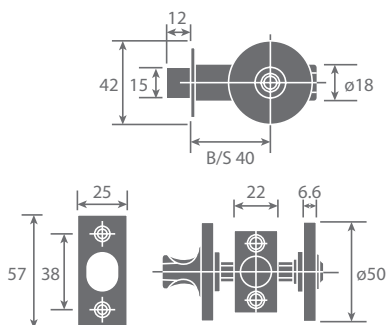


4645

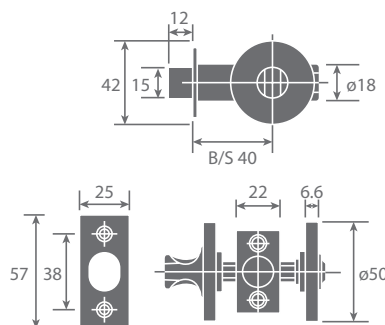


Outside

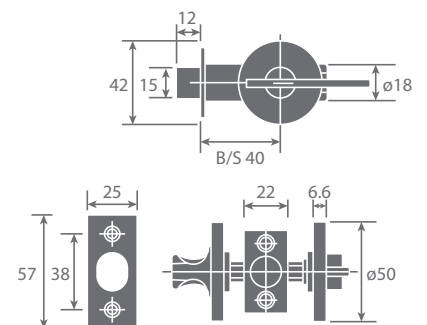
Inside



4638/4639



4642/4643



4644/4645

Dimensions in millimeters

4326NT

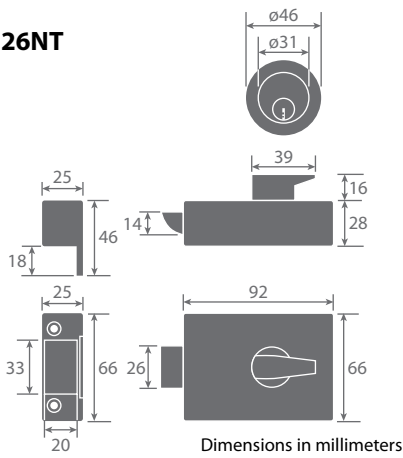
Rim Night Latch

Standard Finishes: F72

Backset: 60mm

Door Thickness: 35~55mm

4326NT



4326NT

(Passed 200,000 Cycle Test)



5-Pin Key

4327T

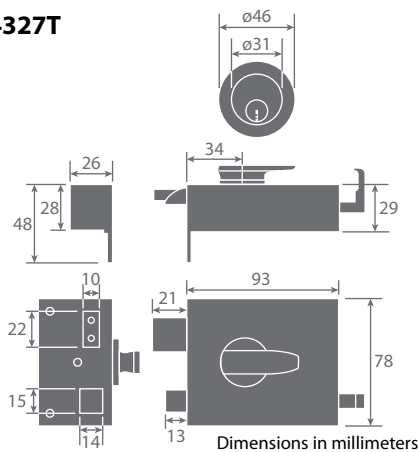
Rim Night Latch

Standard Finishes: F72

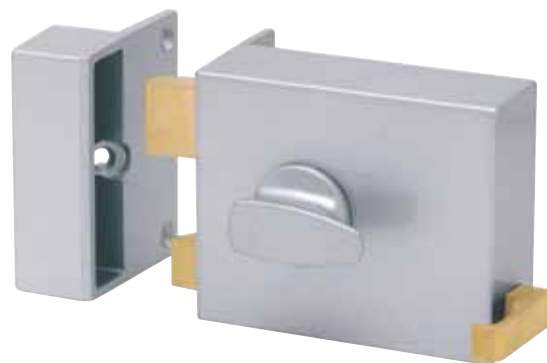
Backset: 60mm

Door Thickness: 35~55mm

4327T



4327T



5-Pin Key

4300 SERIES

Auto Locking System
(Panic release action)

Standard Finishes:
F13, F21, F22, F31, F32

We are proudly introducing our 4300 series security locks here. Mortise part of the exterior component can be placed into the existing door hole of the cylindrical lockset easily. This unit is quite attractive for replacement to the cylindrical lockset particularly. With our 4300 series locks, you can easily upgrade the security and image to your entry doors. Choose simple design, artistic design, elegant design, and much more.

Even when the door is locked, you can open the door anytime with one action of the inside lever and exit with Panic Action.

Note: The model 4309 is the only one without auto locking. Locking and unlocking by key from outside, with turn-piece from inside.

4306-F22

F22 Satin Nickel



4307-F32

F32 Antique Copper



4308-F21

F21 Bright Chrome



4311-F31

F31 Antique Brass



4309-F22

F22 Satin Nickel



Ball Catch at the edge to stable the door

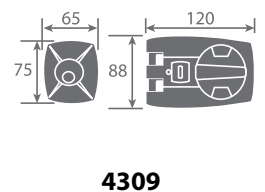
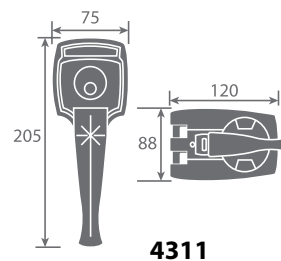
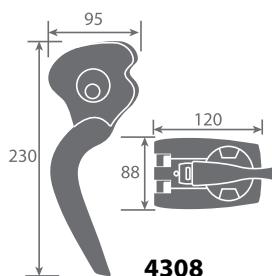
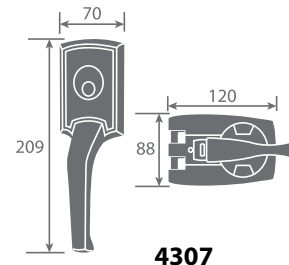
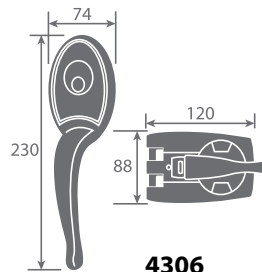
Each set is supplied with the quality Ball Catch to stable the door shutting at proper position.



4300 SERIES

Auto Locking System
(Panic release action)

Dimensions
in millimeters



LF SERIES

Stainless Steel Levers
(Unspring type)

Standard Finishes:
F24, F25

Spindle: 8mm Square

LF-AE Cylinder Escutcheons



LF-008



LF-009



LF-010



LF-011



LF-012



LF-013



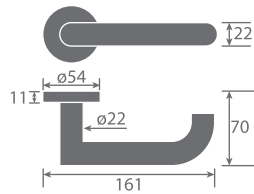
LF-014



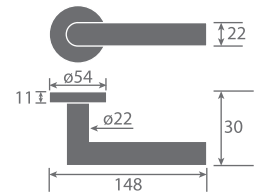
LF SERIES

Stainless Steel Levers
(Unspring type)

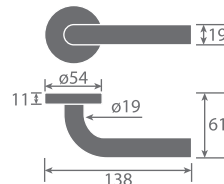
Dimensions
in millimeters



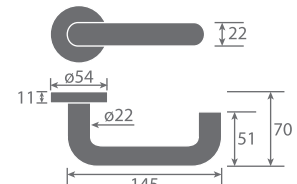
LF-008



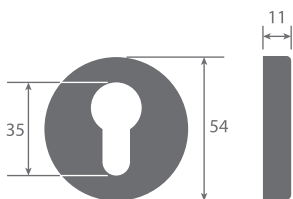
LF-009



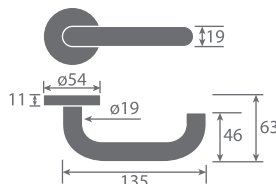
LF-010



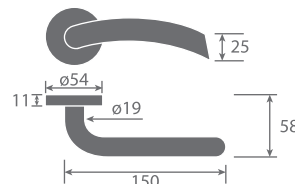
LF-011



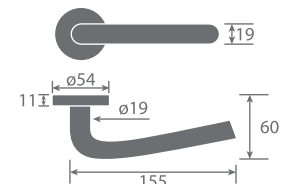
LF-AE



LF-012



LF-013



LF-014

CYLINDER PULL

Standard Finishes:
F16, F24, F25

CP32



CP33-13



CP33-12



CP33-15



CP35-31

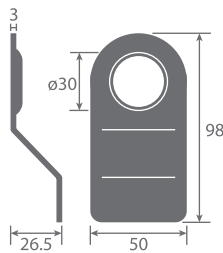


CP35-33

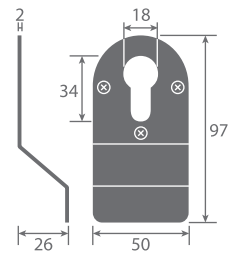


CYLINDER PULL

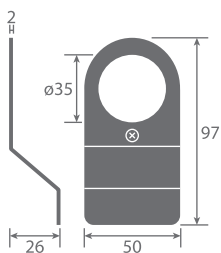
Dimensions
in millimeters



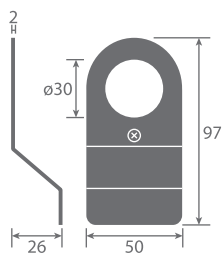
CP32



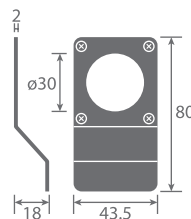
CP33-13



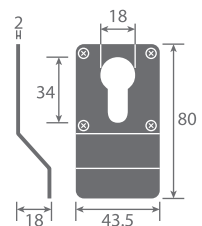
CP33-12



CP33-15


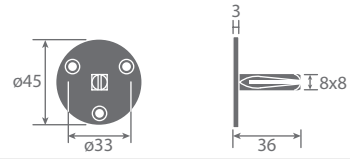

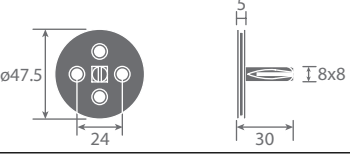

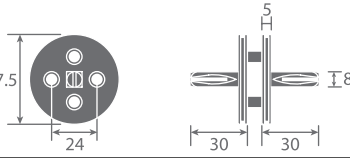

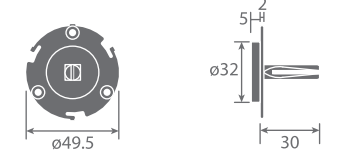


CP35-31


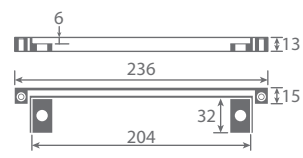
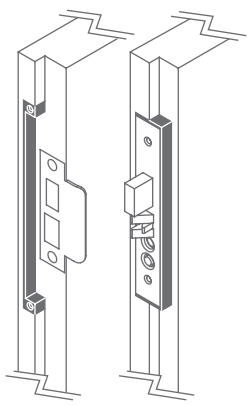

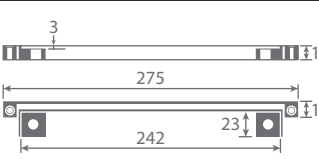

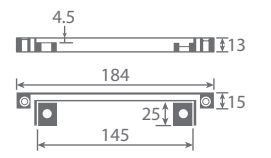

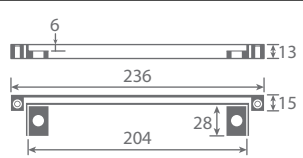

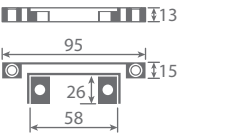


CP35-33








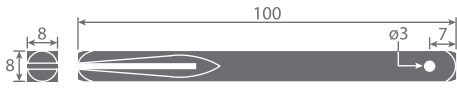

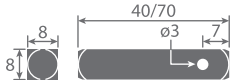



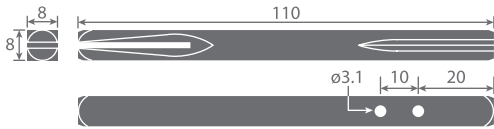

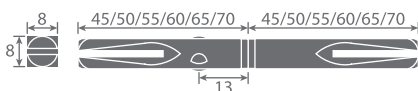



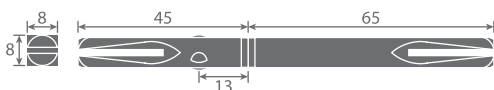



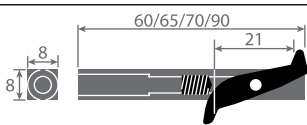

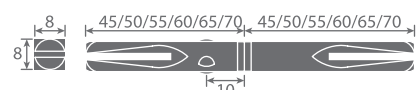
Fixing Back Plate

Model	Photo	Dimintions in mm	Use for
4681-BP			For 4900 Series Dummy Fixing
SBG-BP			For SB, HS & NLG Series Levers Handle Dummy Fixing
SBG-BPD			For SBG, HSG & NLG Series Levers Handle Dummy Fixing
5-BP			For 5 Series Lever Handle Dummy Fixing (door thickness must be over 38mm)

Rebated Kit - RK Series

Model	Photo	Dimention in mm	Use for	Example
RK-06			For 4627, 4627S, 4628, 4629 & 4630 Series (ANSI Mortise Lock)	
RK-13			For 4626, 4626NS, 4650, 4653 & 4667 Series (EURO Mortise Lock)	
RK-21			For CL / CLQ Series (Mortise Lock)	
RK-24			For 4627/4627S Series (ANSI Mortise Lock for narrow strike plate 28mm)	
RK-27			For KL / 5091 Series (Latch)	

Spindle

Model	Photo	Dimensions in mm	Operations
AA			For SB & NL Series Lever Handle
AD(4627)			For 4627 Series ANSI Mortise Lock
AD(4677)			For 4667 Series EURO Mortise Lock
AE			For LF Series Lever Handle
AF			For 4217 Series
AG			For KL700 Series (15 Function) Lever Handle
AH			For HS Series Lever Handle
AI			For 4900-DTK & DTL Series
AJ			For 4218 Series
AK			For HS-DA Series Lever Handle
AL			Single side spindle for EURO Mortise Lock
AM			Single side spindle for ANSI Mortise Lock
AR			For 4653-C mortise lock only

Display Wood Stand

 WD-100 Series L=600 W=140	Drawing						 Dimensions in mm
	No.	WD-101-01	WD-102-01	WD-102-02	WD-103-01	WD-104-01	
Use for	49K/L Dummy	49K + 4627	49DH + 4627	49K + 4667	49BT + 4627BT		

 WD-200 Series L=450 W=130	Drawing									
	No.	WD-201-01	WD-201-02	WD-201-03	WD-201-04	WD-201-07	WD-201-08	WD-202-01	WD-202-02	WD-203
Use for	KL + 5091(60)	KL + 5091(70)	SB/NL + 5091(60)	SB/NL + 5091(70)	4210 + 4217S + 4217W (60)	4210 + 4217S + 4217W (70)	ES + 4626(60)	ES + 4626(70)	49DTK Dummy	
Drawing										
No.	WD-204-01	WD-205-01	WD-205-02	WD-205-03	WD-205-04	WD-205-05	WD-206-01	WD-206-02		
Use for	49DTK + 4628	4213 + 4623	4214 + 4623	4218 + 4623	4219 + 4623	4218 + 4219 + 4623	4615 + 4652	CLS - 05/65		

 WD-300 Series L=350 W=130	Drawing												
	No.	WD-301-01	WD-301-02	WD-301-03	WD-301-04	WD-302-01	WD-302-02	WD-302-03	WD-302-04	WD-303-01	WD-303-02	WD-304-01	WD-304-02
Use for	SB/ES + CL	SB/ES + CLQ	5 Series + CL	5 Series + CLQ	SB-A-AE + 4626(60)	SB-A-AE + 4626(70)	5-A-AE + 4626(60)	5-A-AE + 4626(70)	SB + LL	5 Series + LL	4300	4291 + 4215(60) SB + 5091(60)	
Drawing													
No.	WD-304-03	WD-304-04	WD-304-05	WD-304-06	WD-304-07	WD-304-08	WD-304-09	WD-304-10	WD-304-09	WD-304-12	WD-304-13	WD-304-14	
Use for	4291 + 4215(70) SB+5091(70)	4291 + 4215(60) 5A+5091(60)	4291 + 4215(70) 5A+5091(70)	4291 + 4215(60)	4291 + 4215(70)	4680 + 4624A(60)	4680 + 4624A(70)	4680 + 4624A(60) 5A+5091(60)	4680 + 4624A(70) 5A+5091(70)	4238 + 4642 + 4644	4351(60/70)	4352(60/70)	



Name of quality & dependability

www.boncohardware.com

BONCO Ironmongery Ltd.

Member of E. Bon Holdings Ltd. (HKEx stock code 599)

18/F, First Commercial Building, 33 Leighton Rd., Causeway Bay, H.K.
Tel : (852) 2891 2188 Fax : (852) 2834 2652

Locksets



high quality locks